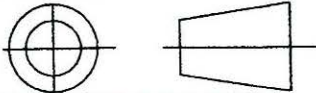


3		
2		
1		
NO.	MODIFICATION	DATE
 THIRD ANGLE PROJECTION		

SCALE	3:1
UNIT	MM
MAT'L	BRASS NICKEL PLATED
DATE	Feb. 26. 2006

<b>SHOGYO INTERNATIONAL CORP.</b>
<b>#409A ANODE</b>
BATTERY CONTACT