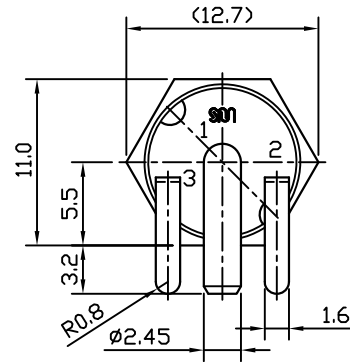
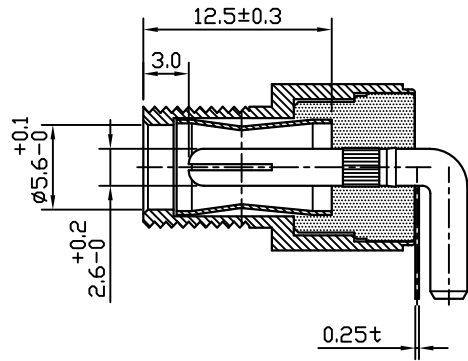
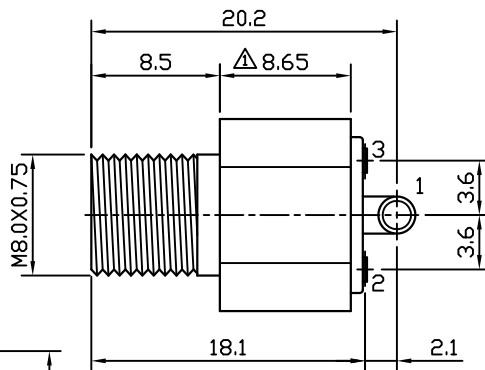


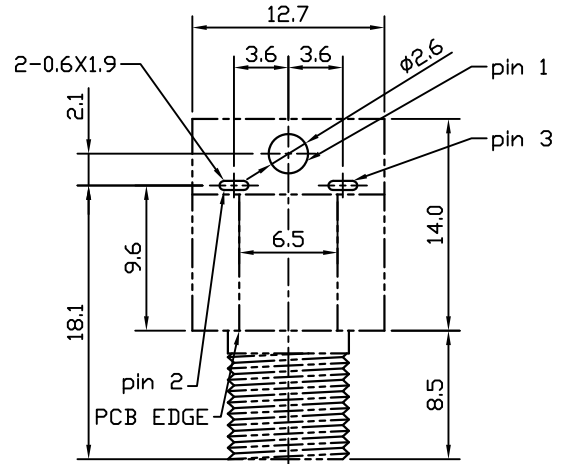
DIMENSIONS RANGE	TOLERANCE UNLESS SPECIFIED
0.5≤X<1	±0.1
1≤X≤6	±0.15
6<X≤18	±0.2
18<X≤50	±0.3



REAR VIEW

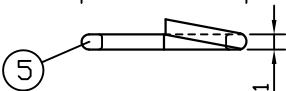
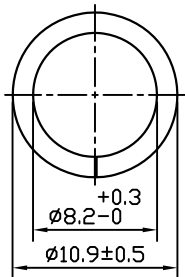
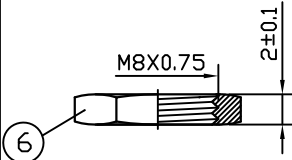
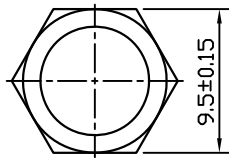


BOTTOM VIEW



TOP VIEW

PCB LAYOUT



PIN 組立 : 159-065

Follow RoHS Standard

1. Dielectric strength : AC 500V/1 minute.
2. Insulation resistance : 100MΩ or over. (DC 500V)
3. Contact resistance : 30mΩ or less.

4. Insertion force : 3.5Kg Max
Extraction force : 0.3~3Kg.

⑥	119-135	NUT	BRASS	NI	1
⑤	179-008	WASHER	SWRH62	NI	1
④	190-089	DIELECTRIC	PBT		1
③	170-236	Terminal	Phosphor Bronze	AG	1
②	119-132	SLEEVE	BRASS	NI	1
①	172-014	PIN	Phosphor Bronze	AG	1
ITEM	DRAWING NUMBER	PART NAME	MATERIAL	PLATED	Q'TY

⑤ 增加螺帽、墊圈圖	2016.08.19	CHIEN	THIRD ANGLE PROJECTION			P/N:
④ 增加備註	2012.03.08	CHIEN	UNIT	mm	SCALE : 2/1	ITEM : 5.5X2.5DC JACK (DJ5525S1)
③ C3604→SWRH62	2010.02.24	CHIEN	MATERIAL		DATE	
② 設變 172-014	2006.12.08	CHIEN	DRAWING	CHIEN	2016.08.19	DRAWING NAME : PRODUCT DRAWING
① 9.0-->8.65	2006.12.06	CHIEN	DESIGN			DRAWING NUMBER : 655-125
DESCRIPTION	DATE	REVISED	APPROVED			REV
						4

SHOGYO