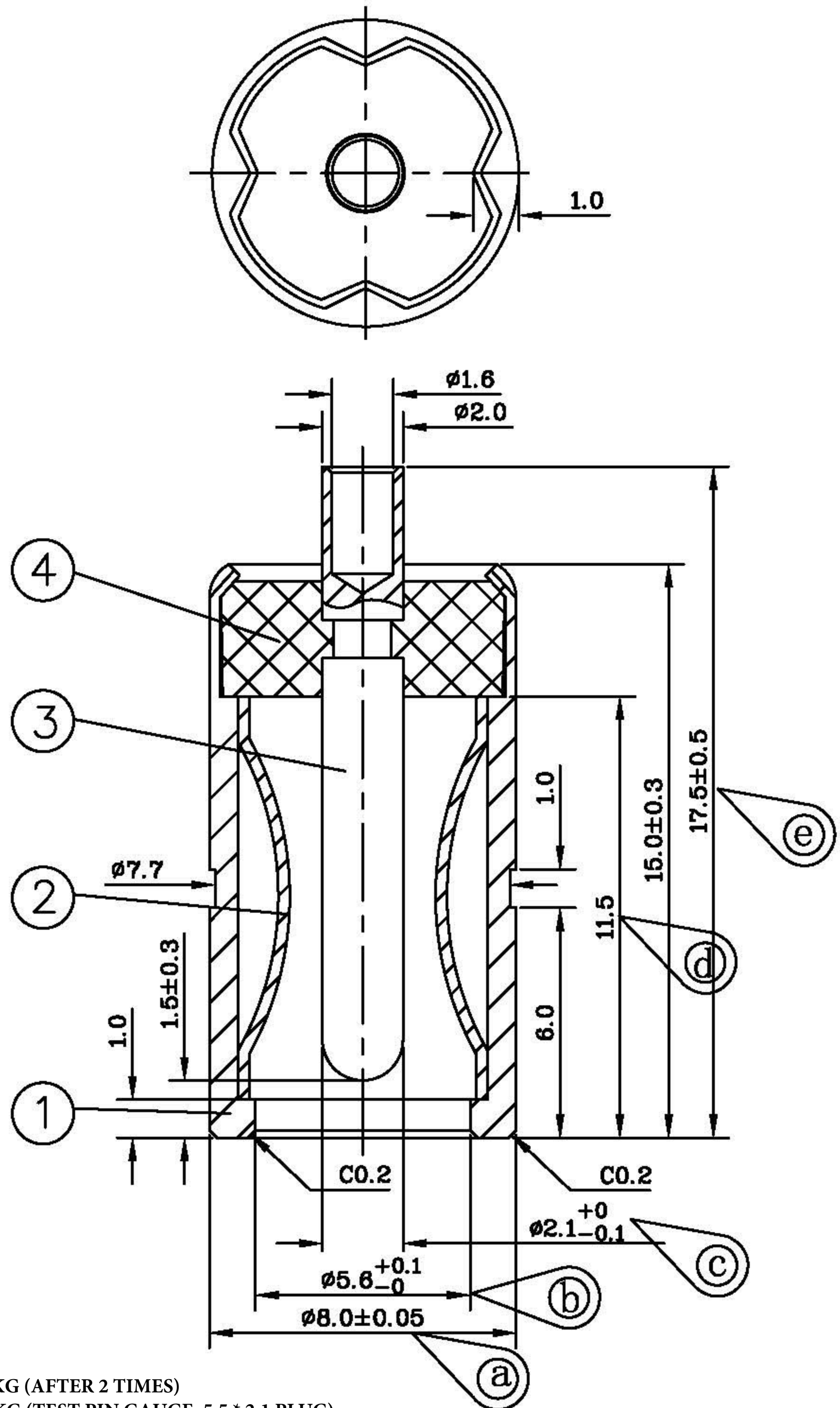


| | |
|-----|---|
| 生管 | 1 |
| 業務 | |
| 品管 | |
| QA | |
| IQC | |
| 生技 | 1 |
| 車床 | |
| 注塑 | |
| 加工 | |
| 資料 | 1 |
| 工程 | 1 |
| 台北 | |
| | |
| | |
| | |



NOTES:

- MATING FORCE: ≤ 3.0 KG (AFTER 2 TIMES)
- UNMATING FORCE: ≥ 0.3 KG (TEST PIN GAUGE: 5.5 * 2.1 PLUG)
- CONTACT RESISTANCE: $\leq 30M\Omega$
- INSULATION RESISTANCE: $\geq 100M\Omega$ (DC 500V)
- DIELECTRIC STRENGTH: AC 500V (CURRENT 0.5mA, 1 minute)
- RATED VOLTAGE/CURRENT: DC 20V/5A

重点尺寸

| | | | | | |
|---|---------|-----|------------|----|---|
| 4 | | 绝缘体 | PBT | | |
| 3 | 412-053 | PIN | BRASS | Ni | 1 |
| 2 | 470-030 | 弹片 | PHO-BRONZE | Ni | 1 |
| 1 | 418-057 | 外管 | BRASS | Ni | 1 |

| | | | | | | | | | | | |
|-------------|-------------|-------------|---------|------------|-------------|-------------|--------------|---------------|--|------------|----------------------|
| 3 | | | | | | 项目 | 图面号码 | 零件名称 | 材料 | 处理 | 数量 |
| 2 | | | | | | ITEM | DRAWING NO. | PART NAME | MATERIAL | FINISH | Q'TY |
| 1 | 655-915 | → | 955-733 | 990826 | | 单位 | mm | 比例 | 5/1 | 品名 | 5.5x2.1x17.5 DC JACK |
| ITEM | 修改/REVISION | 日期/DATE | CHKD | APPD | 材料/MATERIAL | 模号 | MODEL NUMBER | 品名 | TITLE: 5.5x2.1x17.5 DC JACK (DJ5521C1) | | |
| 绘图/DRAWING | | 设计/DESIGN | | 审核/CHECKED | | 核准/APPROVED | | 图名 | 组合成品图 | | |
| 邱小平 | | 邱小平 | | | | | | DRAWING NAME: | PRODUCT DRAWING | | |
| QIUXIAOPING | | QIUXIAOPING | | | | | | 图号 | 955-733 | 版本 | |
| | | | | | | | | DRAWING NO. | | EDITION | |
| | | | | | | | | | | 3.1 | |
| | | | | | | | | | | 文件名/FILES: | d5521 |