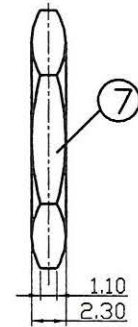
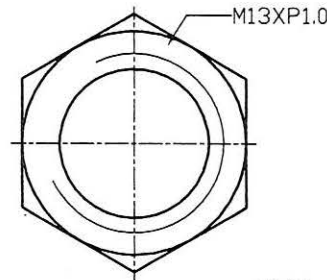
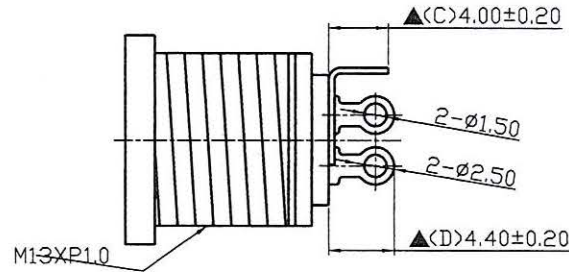
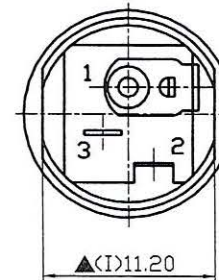
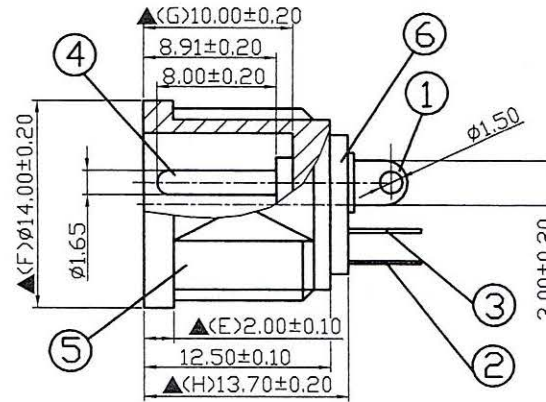
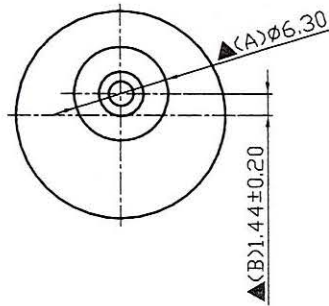


SCHEMATIC	
MODEL NO	C



NUT



7.	NUT	2.3T Brass	1	Nickel Plated
6.	Insulator	1.2T Bakelite	1	Natural
5.	Housing	PBT	1	Black Color
4.	Pin(1.65φ)	Copper	1	Nickel Plated
3.	Break Terminal	0.3T Brass	1	Silver Plated
2.	Sleeve Spring	0.2T Phosphor Bronze	1	Silver Plated
1.	Pin Terminal	0.4T Brass	1	Silver Plated
NO.	Description	Material	Q' TY	Finish

SPECIFICATIONS:

Contact Resistance : 30mΩ max
 Current Rating : Max 5.0A , 24VDC
 Insulation Resistance : 100MΩ min. at DC 500V
 Dielectric Withstanding Voltage: AC 500V for one minute
 Remark: ▲: The Most Important Dimension

RoHS
Compliant

DATE	DWN	CHKD	APVD	MANAGER
11.23.2017				

PART NAME : DC POWER JACK	VERSION:1.0
TOLERANCE :±0.3mm UNLESS OTHERWISE SPECIFIED	UNIT:mm SCALE:1/1

SHOGYO INTERNATIONAL CORP.
#SCD523BCS100B00G