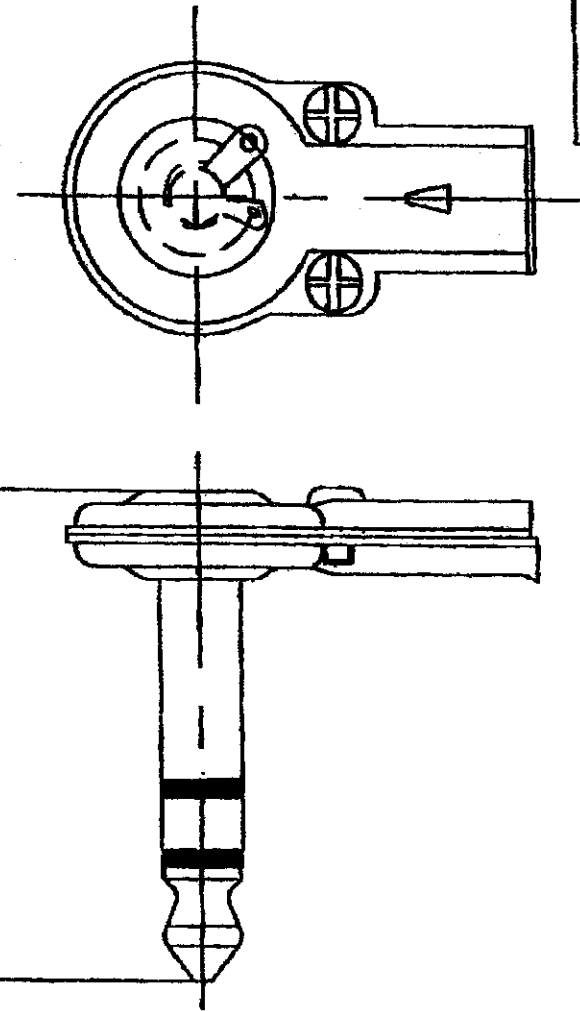


6.35MM ST PLUG
2:1
mm



0.5-5MM ±0.01
5-30MM ±0.02
30-120MM ±0.06
120-315MM ±0.10
315-1000MM ±0.16

SHOGYO INTERNATIONAL CORP.
#MP-328