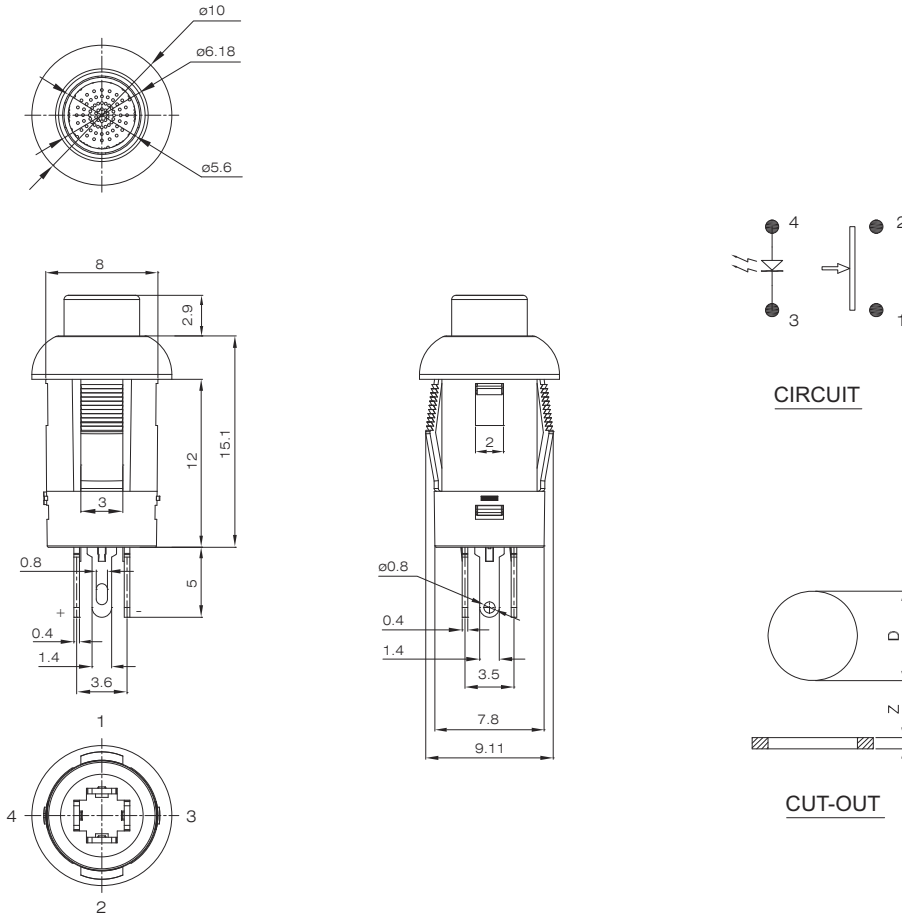




SPECIFICATIONS

CONTACT RATING: 0.2A, 36 VDC
 ELECTRICAL LIFE: 50,000 cycles
 CONTACT RESISTANCE: 50 mΩ max. (initial)
 INSULATION RESISTANCE: 100 MΩ min. 500 VDC
 DIELECTRIC STRENGTH: 500 VAC/1 min.
 OPERATING TEMPERATURE: 0°C to +85°C

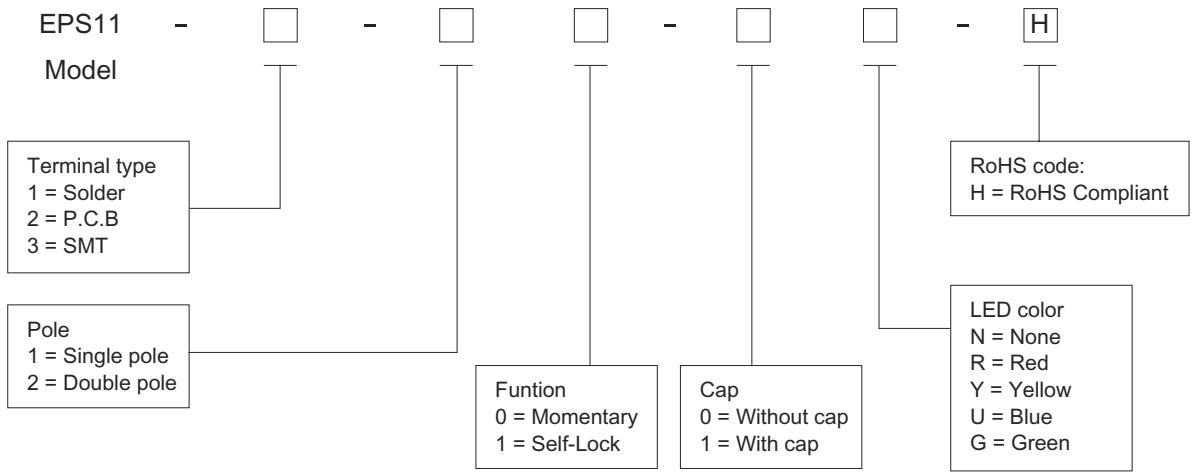
DIMENSIONS



CIRCUIT

CUT-OUT

HOW TO ORDER



INDEX
TOGGLE
ROCKER
SLIDE
PUSH BUTTON / MICRO
DIP / ROTARY
KEY / TACT