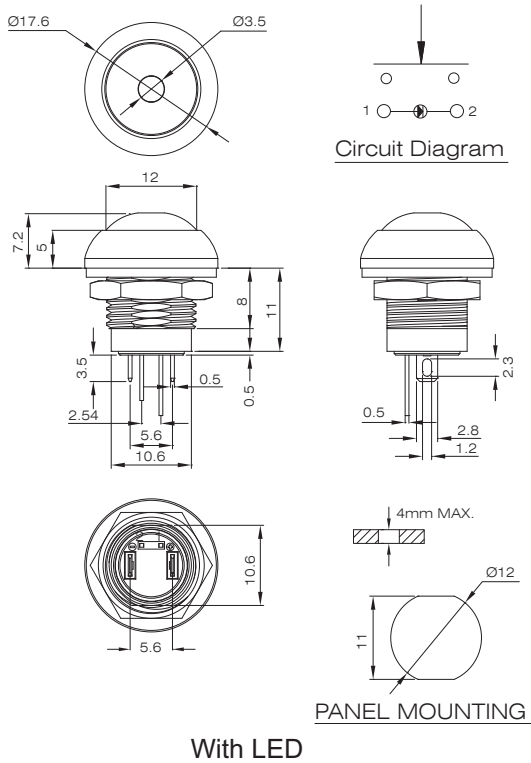




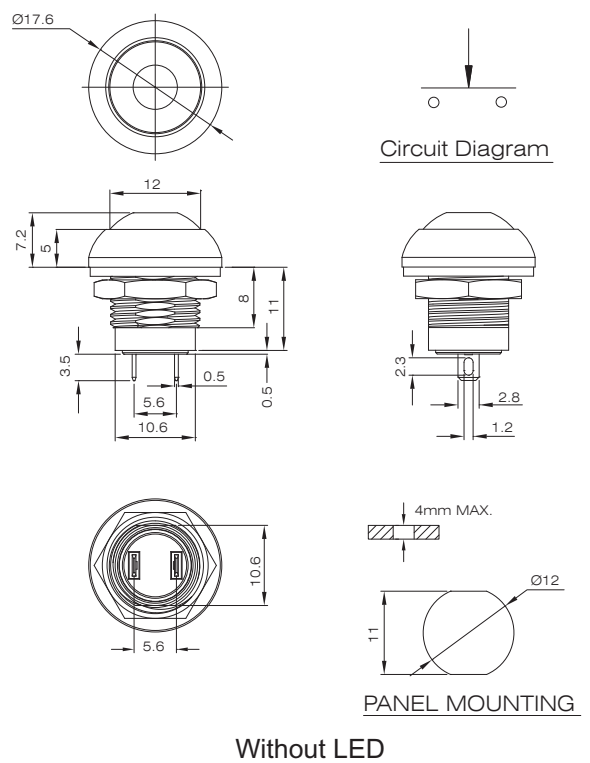
SPECIFICATIONS

CONTACT RATING: 400mA@32VACMAX/100mA@50VDCMAX/
125mA@125VACMAX
OPERATING LIFE: 500,000 cycles
CONTACT RESISTANCE: 50 mΩ max.
INSULATION RESISTANCE: 1000 MΩ min. 500 VDC
DIELECTRIC STRENGTH: 1000 VAC/1 min.
OPERATING TEMPERATURE: -40°C to +85°C

DIMENSIONS



With LED



Without LED

HOW TO ORDER

EPS12 - 11 M - B1 - 2 - BR - D3 - A3 - E - H

Plastic body

Switch Function	
11	2P
13	3P

Operation type	
M	Reset
Z	With lock
I	Indicator lamp

Body type	
B1	Round
D1	Square

Body color	
2	Black

Terminal	
B	Solder lug
D	Quick connect
S	Screw

Contact material	
Q	Silver plated
R	Gold plated
G	Gold over silver

RoHS Compliant	
Epoxy	
/	None seal (STD.)
E	Epoxy seal
Cap color	
2	Black
3	Red
4	Orange
6	Green
7	Blue
9	Gray
Cap type	
A	Flat (STD.)
H	High Button (Only for w/o LED type)
LED Color	
1	White
3	Red
LED type	
/	No LED
D	Point luminescence