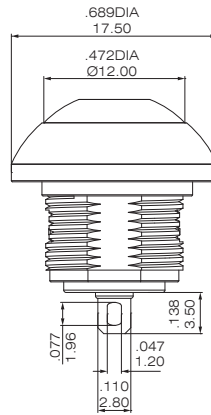
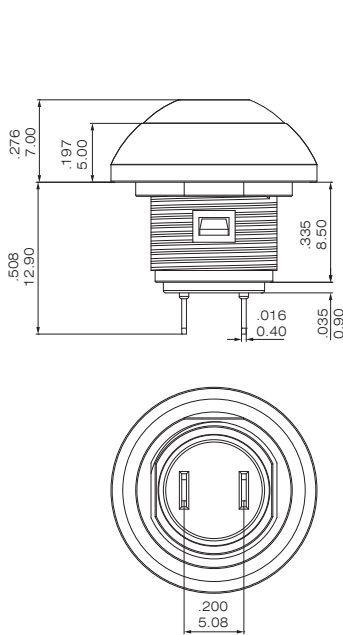




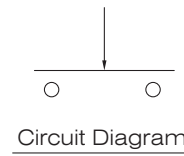
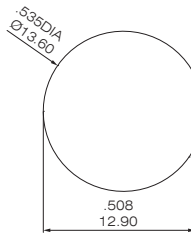
**SPECIFICATIONS**

CONTACT RATING: 500mA@48VACMAX/200mA@50VDCMAX/  
200mA@250VACMAX  
ELECTRICAL LIFE: 500,000 cycles  
CONTACT RESISTANCE: 50 mΩ max.  
INSULATION RESISTANCE: 1000 MΩ min. 500 VDC  
DIELECTRIC STRENGTH: 1500 VAC/1 min.  
OPERATING TEMPERATURE: -40 °C to +85 °C

**DIMENSIONS**



P.C. MOUNTING



**HOW TO ORDER**

EPS13 - 11 M - B1 - F2 - B R - D 3 - A 3 - E - H

Metal body		RoHS Compliant	
Switch Function		Epoxy	
11	2P	E	Epoxy seal
13	3P	Cap color	
Operation type		2	Black
M	Reset	3	Red
Z	With lock	4	Orange
I	Indicator lamp	6	Green
Body type		7	Blue
B1	Round	9	Gray
D1	Square	Cap type	
Body color		A	Flat (STD.)
N	Nickel	H	High Button (Only for w/o LED type)
R	Gold	LED Color	
C	Chrome	1	White
1	Natural	3	Red
2	Black	LED type	
F2	Oxidation black	/	No LED
Terminal		D	Point luminescence
B	Solder lug	Contact material	
D	Quick connect	Q	Silver plated
S	Screw	R	Gold plated
		G	Gold over silver

INDEX  
TOGGLE  
ROCKER  
SLIDE  
PUSH BUTTON / MICRO  
DIP / ROTARY  
KEY / TACT