

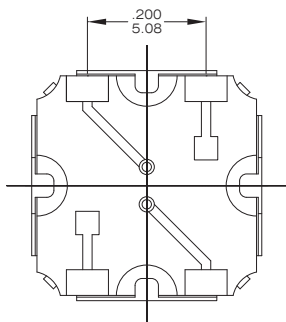
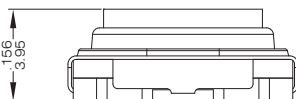
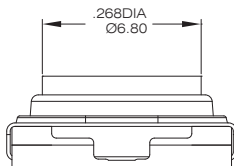
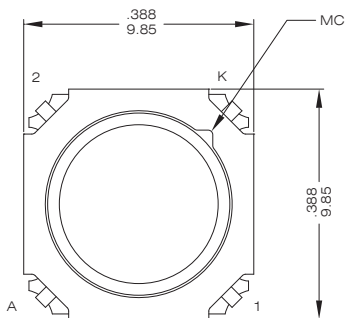
TQ3



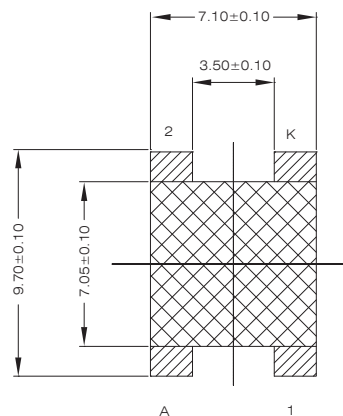
SPECIFICATIONS

CONTACT RATING: DC 28V, 50mA
 OPERATION LIFE: 500,000 cycles
 CONTACT RESISTANCE: 100mΩ max.(initial)
 INSULATION RESISTANCE: 500MΩ min. 250VDC
 DIELECTRIC STRENGTH: 500VAC/ 1 min.
 OPERATING TEMPERATURE: -40°C to +95°C

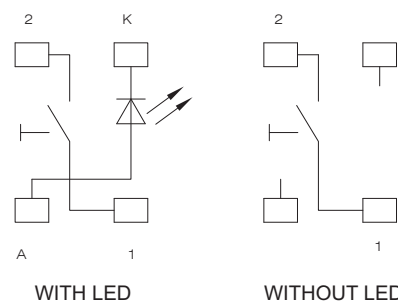
DIMENSIONS



PCB LAYOUT



CIRCUIT



TQ3-10-H

HOW TO ORDER

TQ2 - 10 - [] - [] - H - [] - T/R

Size 10*10

Operation force

LED color

RoHS code

Top material

Reel package

TQ2 = PCB with half hole
 TQ3 = PCB without half hole

8 = 680gf
 10 = 500gf
 13 = 400gf

[] = Without LED
 1 = Warm White
 3 = Red
 4 = Orange
 5 = Yellow
 6 = Green
 7 = Blue
 36 = Red & Green
 66L = Pure Green Highlight

None = Plastic
 SI = Silicon