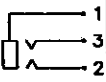
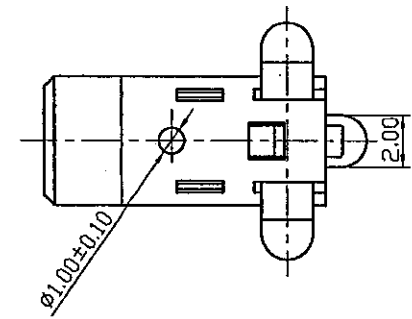
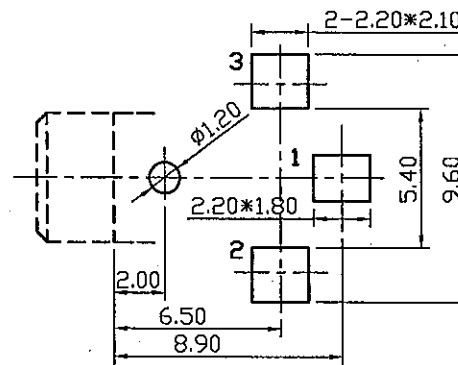
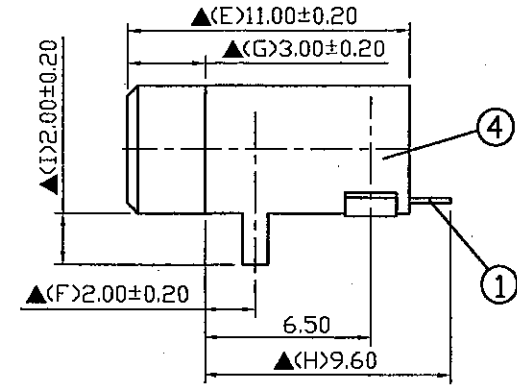
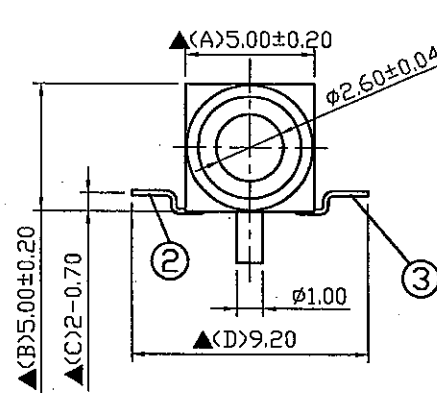


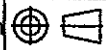
SCHEMATIC	
MODEX NO	H



4.	Housing	POM	1	Black Color
3.	Tip Spring	0.2T Phosphor Bronze	1	Silver Plated
2.	Tip Spring	0.2T Phosphor Bronze	1	Silver Plated
1.	Earth Spring	0.2T Phosphor Bronze	1	Silver Plated
NO.	Description	Material	Q'TY	Finish

RoHS Compliant For Reference  
僅供參考

SPECIFICATIONS:  
 Contact Resistance : 30mΩ max  
 Insulation Resistance : 100MΩ min. at DC 500V  
 Dielectric Withstanding Voltage: AC 500V for one minute  
 Remark: ▲: The Most Important Dimension

	DATE	DWN	CHKD	APVD	MANAGER
	11.30.2005				
PART NAME : 2.5φ PHONE JACK				VERSION:3.0	
TOLERANCE : ±0.3mm UNLESS OTHERWISE SPECIFIED			UNIT:mm		SCALE: /

**SHOGYO INTERNATIONAL CORP.**  
**#SCJ224P00HS0BTAG**