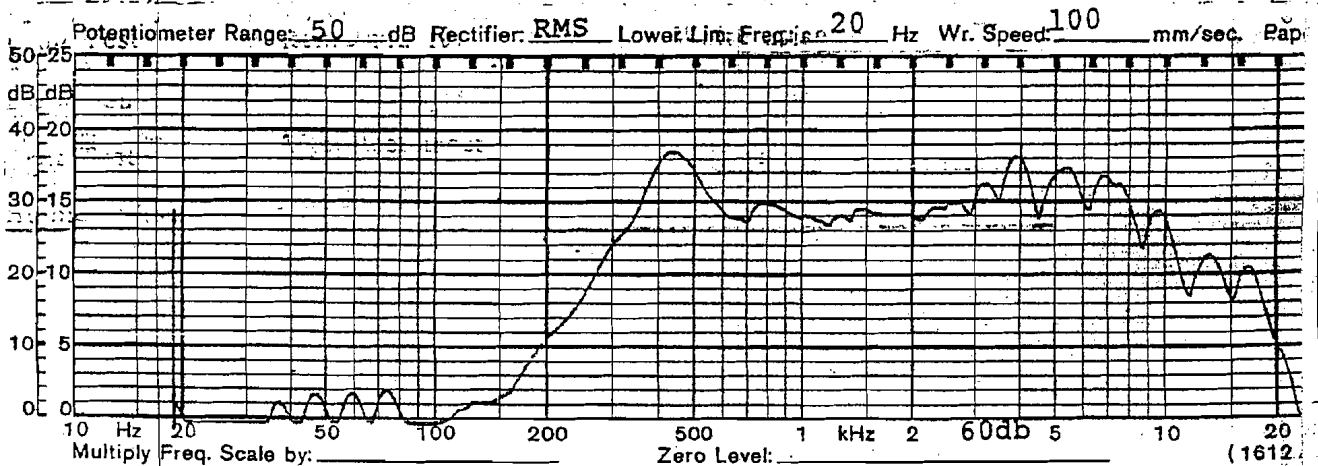


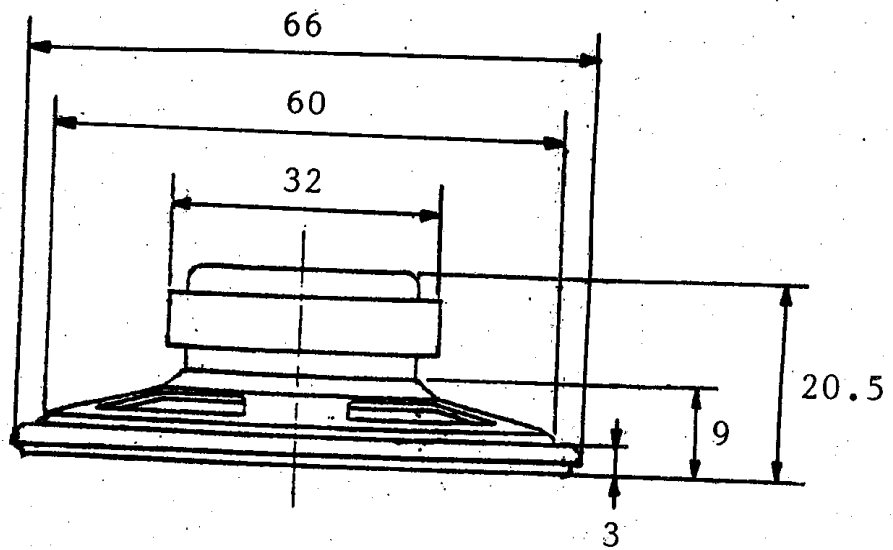
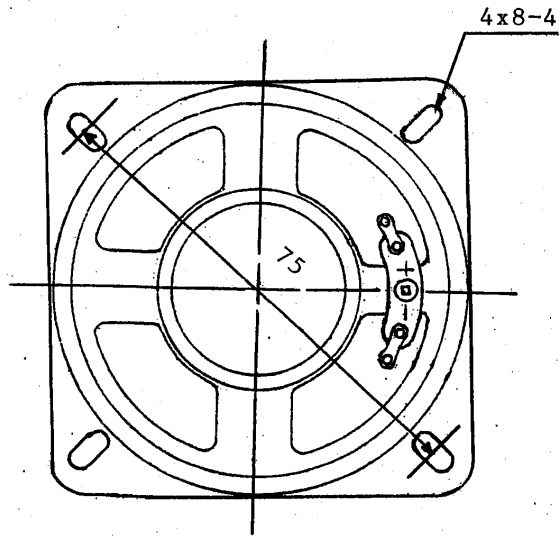
SHOGYO INTERNATIONAL CORP.

www.shogyo.com

SPEAKER SPECIFICATIONS

MODEL NO.	GF0666MX (RoHS)					
1	NOMINAL SIZE	66 mm	inch			
2	IMPEDANCE	8 Ω \pm 15%	at. 800 Hz		1 V	
3	RESONANCE FO	420 Hz \pm 84 Hz	FO Hz		1 V	
4	S.P.L. LEVEL	88 dB/w \pm 3 dB	0.5 W 50 cm average at 1K, 1.4K, 1.7K, 2K Hz			
5	FREQ. RESPONSE	Fo Hz ~ 12K Hz MAX 10 dB				
6	INPUT POWER	Nominal Input 0.5 W	Handling Capacity 1 W			
7	OPERATION	Must be normal at program source 0.5 W				
8	BUZZ, RATTLE, ETC.	Must be normal at Sine Wave 2 V				
9	MAGNET	32 x 18 x 6 mm				
10	FLUX DENSITY	Gauss \pm 10% total flux max well within				
11	DISTORTION					
12	LOAD TEST	After test meet Item 7 and 8	White noise 0.5 W 5 Hours			
13	OPERATION TEMP.					
14	HEAT TEST	After test meet Item 7 and 8	60 \pm 2° C 20-50 % R.H. 5 Hours			
15	HUMIDITY TEST	After test meet Item 7 and 8	40 \pm 2° C 90-95 % R.H. 5 Hours			





MODEL NO. GF0666MX		
APPROVED	CHECKED	DRAWING