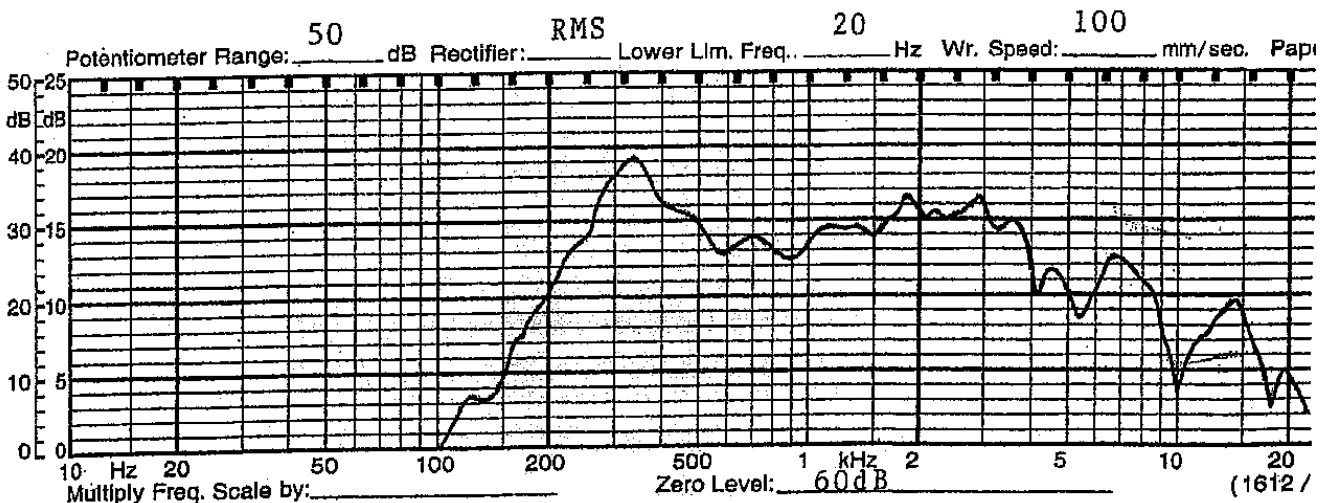


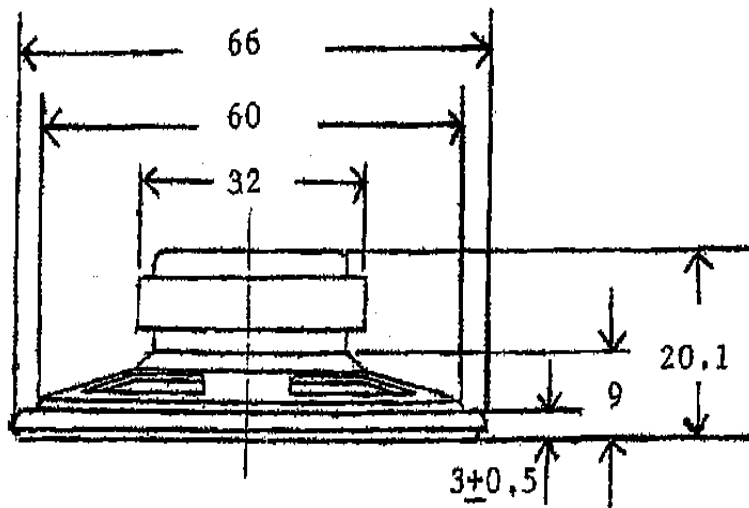
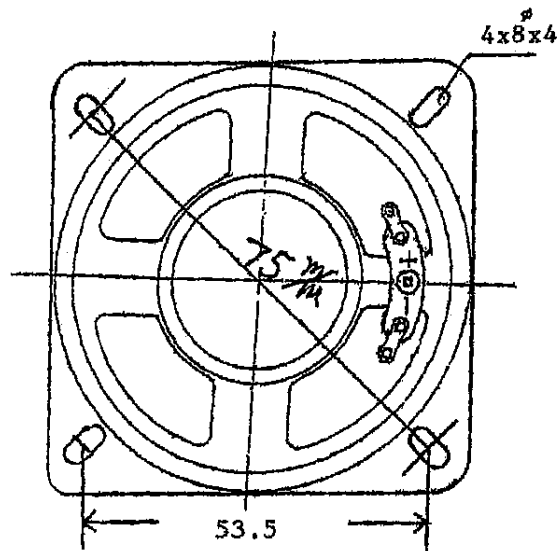
SHOGYO INTERNATIONAL CORP.

www.shogyo.com

SPEAKER SPECIFICATIONS

MODEL NO.	GF0666X (RoHS)					
1	NOMINAL SIZE	66 mm	2-1/2 inch			
2	IMPEDANCE	8 Ω ± 15%	at. 800 Hz	1 V		
3	RESONANCE FO	340 Hz ± 68 Hz	FO Hz	1 V		
4	OUTPUT S.P.L.	89 dB ± 3 dB	0.5 W 50 cm average at 1K, 1.4K, 1.7K, 2K Hz			
5	FREQ. RESPONSE	Fo Hz ~ 9K Hz				
6	INPUT POWER	Rated power 0.5 W	Max power 0.8 W			
7	OPERATION	Must be normal at program source 0.5 W				
8	BUZZ, RATTLE, ETC.	Must be normal at Sine Wave 2 V				
9	MAGNET	32 x 18 x 6 mm				
10	FLUX DENSITY	Gauss ± 10%	total flux max well within			
11	DISTORTION					
12	LOAD TEST	After tst meet Item 7 and 8	White noise 0.5 W 24 Hours			
13	OPERATION TEMP.					
14	HEAT TEST	After test meet Item 7 and 8	60 ± 2° C 20-50 % R.H. 24 Hours			
15	HUMIDITY TEST	After test meet Item 7 and 8	40 ± 2° C 90-95 % R.H. 24 Hours			





TOLERANCE: +/- 0.8 MM

MODEL NO.

GF0666X

APPROVED

CHECKED

DRAWING