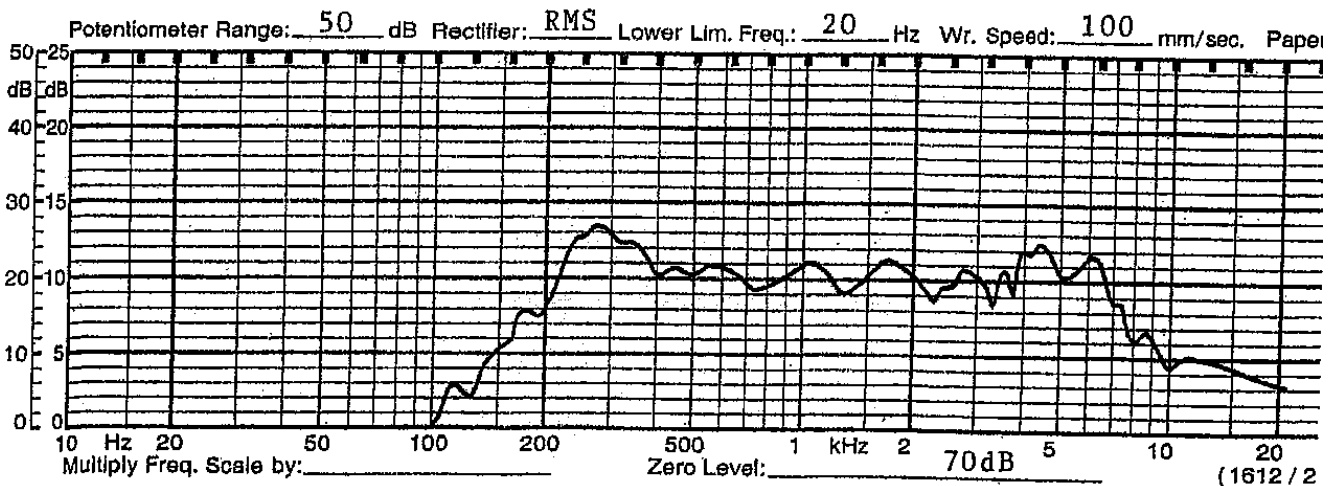


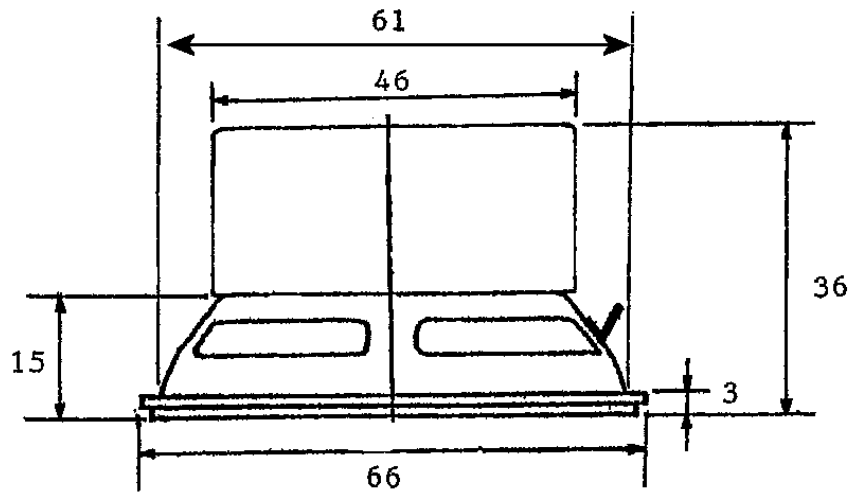
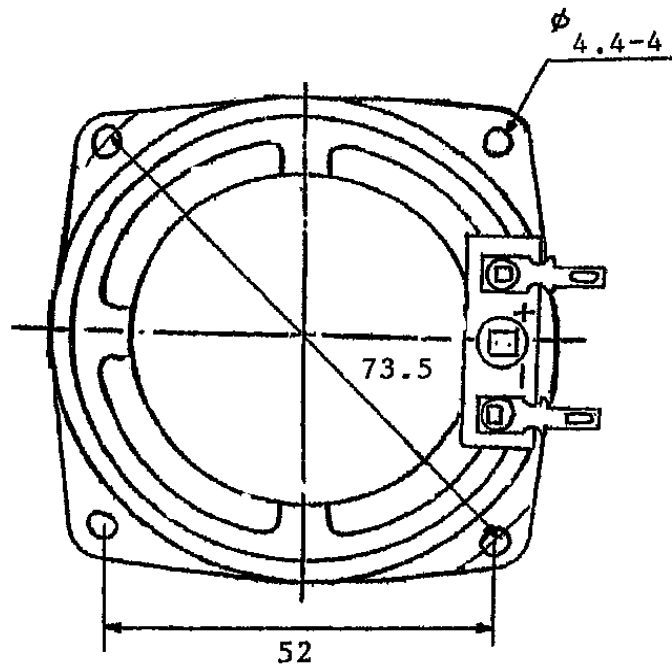
# SHOGYO INTERNATIONAL CORP.

www.shogyo.com

## SPEAKER SPECIFICATIONS

MODEL NO.	<b>GF0668TVX (RoHS)</b>				
1	NOMINAL SIZE	<b>66 mm</b>	<b>2-1/2 inch</b>		
2	IMPEDANCE	<b>8 Ω ± 15%</b>	<b>at. 800 Hz</b>	<b>1 V</b>	
3	RESONANCE FO	<b>240 Hz ± 48 Hz</b>	<b>FO Hz</b>	<b>1 V</b>	
4	S.P.L. LEVEL	<b>92 dB/w ± 3 dB</b>	<b>1 W 50 cm average at</b> <b>1K, 1.4K, 1.7K, 2K Hz</b>		
5	FREQ. RESPONSE	<b>Fo Hz ~ 20K Hz</b>			
6	INPUT POWER	Nominal Input <b>3 W</b>	Handling Capacity <b>5 W</b>		
7	OPERATION	Must be normal at program source <b>3 W</b>			
8	BUZZ, RATTLE, ETC.	Must be normal at Sine Wave <b>4.89 V</b>			
9	MAGNET	<b>32 x 18 x 6</b> <b>45 x 22 x 8 mm</b>			
10	FLUX DENSITY	<b>Gauss ± 10%</b> total flux max well within			
11	DISTORTION				
12	LOAD TEST	After test meet Item 7 and 8	White noise <b>3 W 24 Hours</b>		
13	OPERATION TEMP.				
14	HEAT TEST	After test meet Item 7 and 8	<b>60 ± 2° C 20-50 % R.H. 24 Hours</b>		
15	HUMIDITY TEST	After test meet Item 7 and 8	<b>40 ± 2° C 90-95 % R.H. 24 Hours</b>		





**TOLERANCE:  $\pm 0.8$  MM**

**MODEL NO. GF0668TVX**

APPROVED	CHECKED	DRAWING