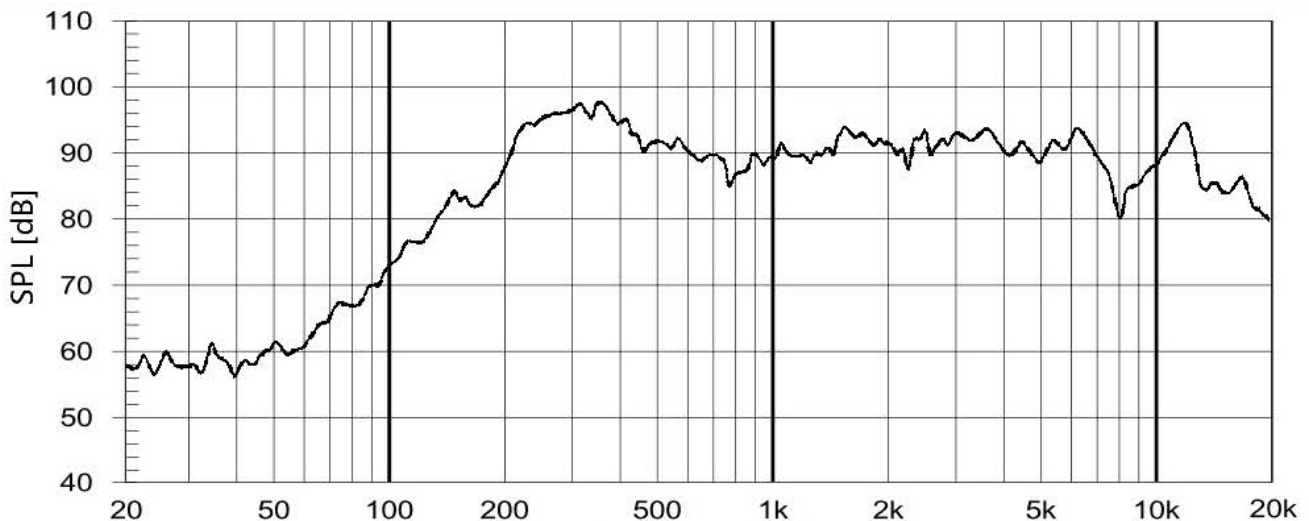


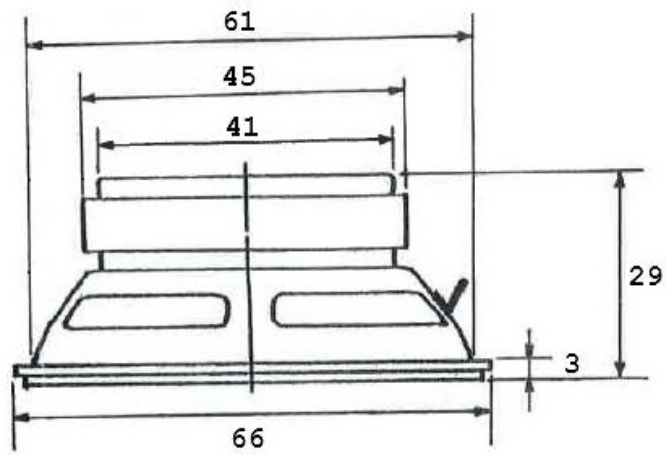
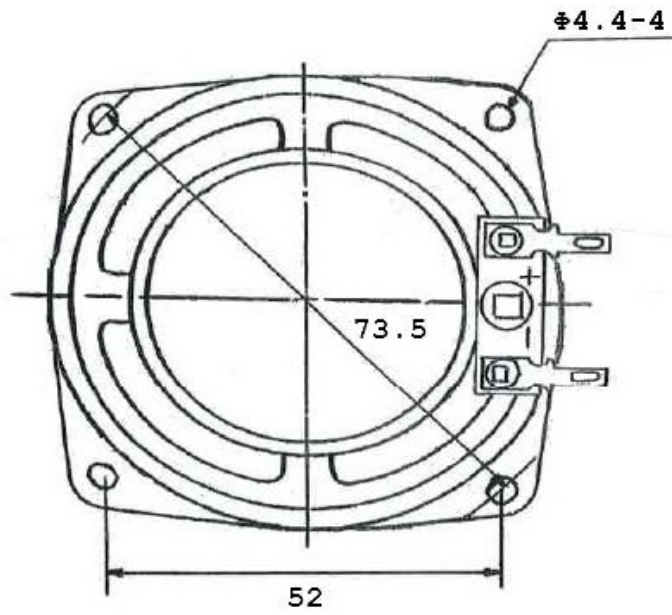
# SHOGYO INTERNATIONAL CORP.

www.shogyo.com

## SPEAKER SPECIFICATIONS

MODEL NO.	<b>GF0668X (RoHS)</b>				
1	NOMINAL SIZE	<b>66 mm</b>	<b>inch</b>		
2	IMPEDANCE	<b>8 Ω ± 15%</b>			
3	RESONANCE FO	<b>300 Hz ± 60 Hz</b>			
4	S.P.L. LEVEL	<b>90 dB/w ± 3 dB</b>	<b>1 W 50 cm average at 500, 600, 800, 1K Hz</b>		
5	FREQ. RESPONSE	<b>Fo Hz ~ 20K Hz</b>			
6	INPUT POWER	<b>Rated Power 3 W</b>	<b>Max Power 5 W</b>		
7	OPERATION	<b>Must be normal at program source 3 W</b>			
8	BUZZ, RATTLE, ETC.	<b>Must be normal at Sine Wave 4.89 V</b>			
9	MAGNET	<b>Ferrite 45 x 22 x 8 mm</b>			
10	TOTAL WEIGHT	<b>125 grams</b>			
11	DISTORTION	<b>5% Max at 1K Hz 1W</b>			
12	LOAD TEST	<b>Must Be Normal White noise 3 W 24 Hours at 25° C (room temp.)</b>			
13	OPERATION TEMP.				
14	HEAT TEST	<b>Must Be Normal 60 ± 2° C 20-50 % R.H. 24 Hours</b>			
15	HUMIDITY TEST	<b>Must Be Normal 40 ± 2° C 90-95 % R.H. 24 Hours</b>			





**MODEL NO.**

**GF0668X**

APPROVED

CHECKED

DRAWING