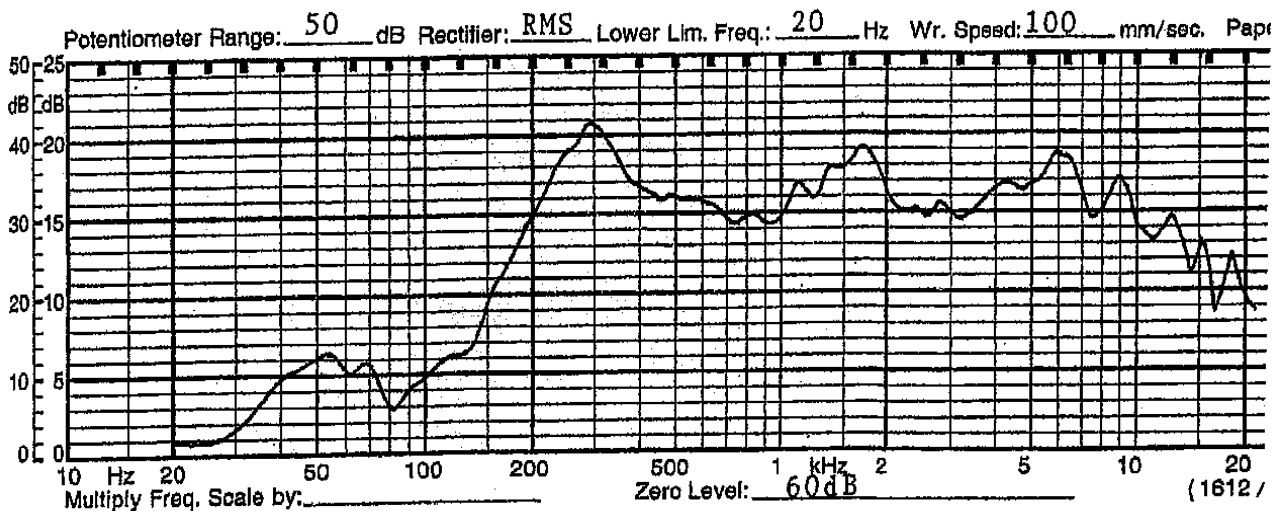


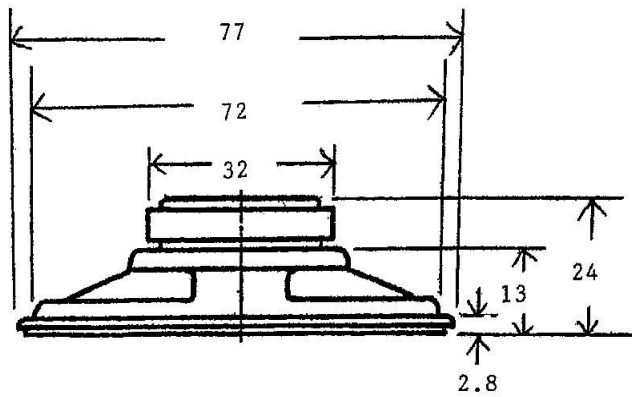
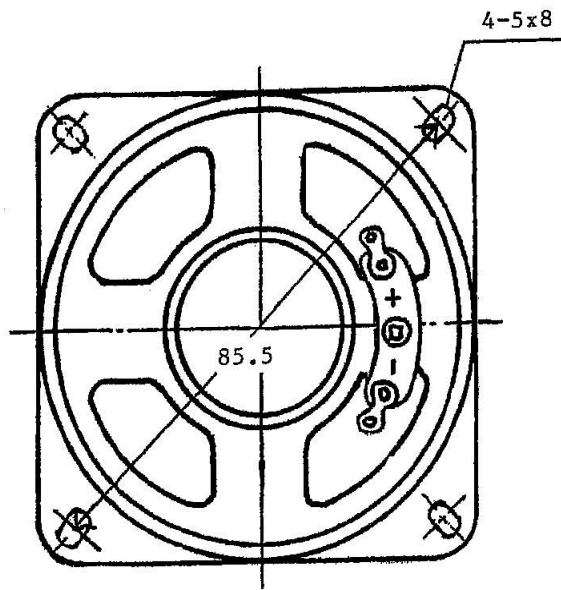
SHOGYO INTERNATIONAL CORP.

www.shogyo.com

SPEAKER SPECIFICATIONS

MODEL NO.	GF0776X (RoHS)				
1	NOMINAL SIZE	77 mm	3	inch	
2	IMPEDANCE	8 Ω \pm 15%	at. 800 Hz	1 V	
3	RESONANCE FO	265 Hz \pm 53 Hz	FO Hz	1 V	
4	OUTPUT S.P.L.	91 dB \pm 3 dB	1 w 50 cm average at 400, 500, 600, 800 Hz		
5	FREQ. RESPONSE	Fo Hz ~ 5K Hz			
6	INPUT POWER	Rated power 1 W	Max power 2 W		
7	OPERATION	Must be normal at program source 1 W			
8	BUZZ, RATTLE, ETC.	Must be normal at Sine Wave 2.83 V			
9	MAGNET	32 x 18 x 6 mm			
10	FLUX DENSITY	Gauss \pm 10%	total flux max well within		
11	DISTORTION				
12	LOAD TEST	After test meet Item 7 and 8	White noise 1 W 24 Hours		
13	OPERATION TEMP.				
14	HEAT TEST	After test meet Item 7 and 8	65 \pm 2° C 20-50 % R.H. 24 Hours		
15	HUMIDITY TEST	After test meet Item 7 and 8	40 \pm 2° C 90-95 % R.H. 24 Hours		





TOLERANCE: +/- 0.8 MM

MODEL NO.

GF0776X

APPROVED

CHECKED

DRAWING