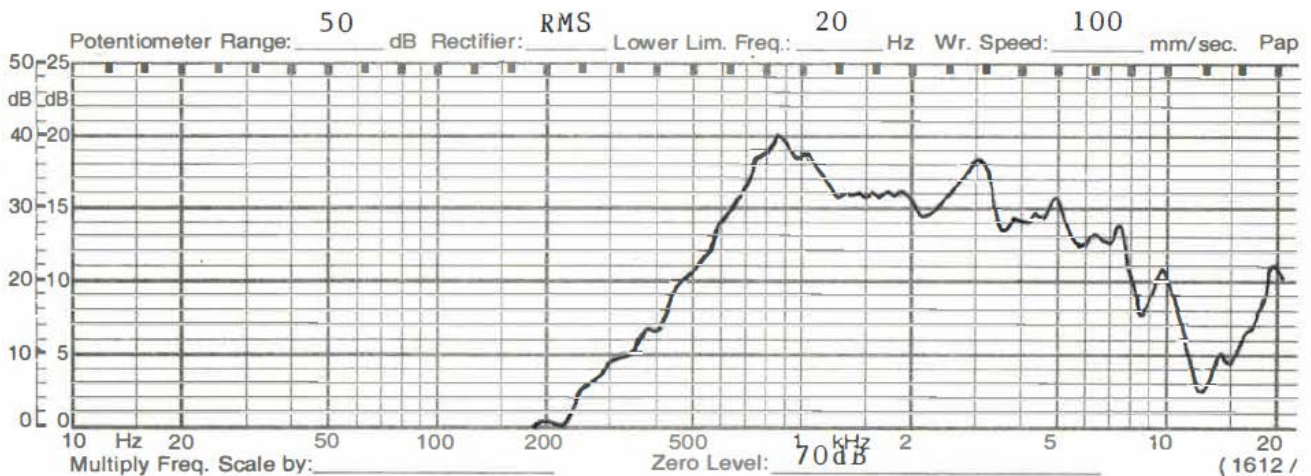


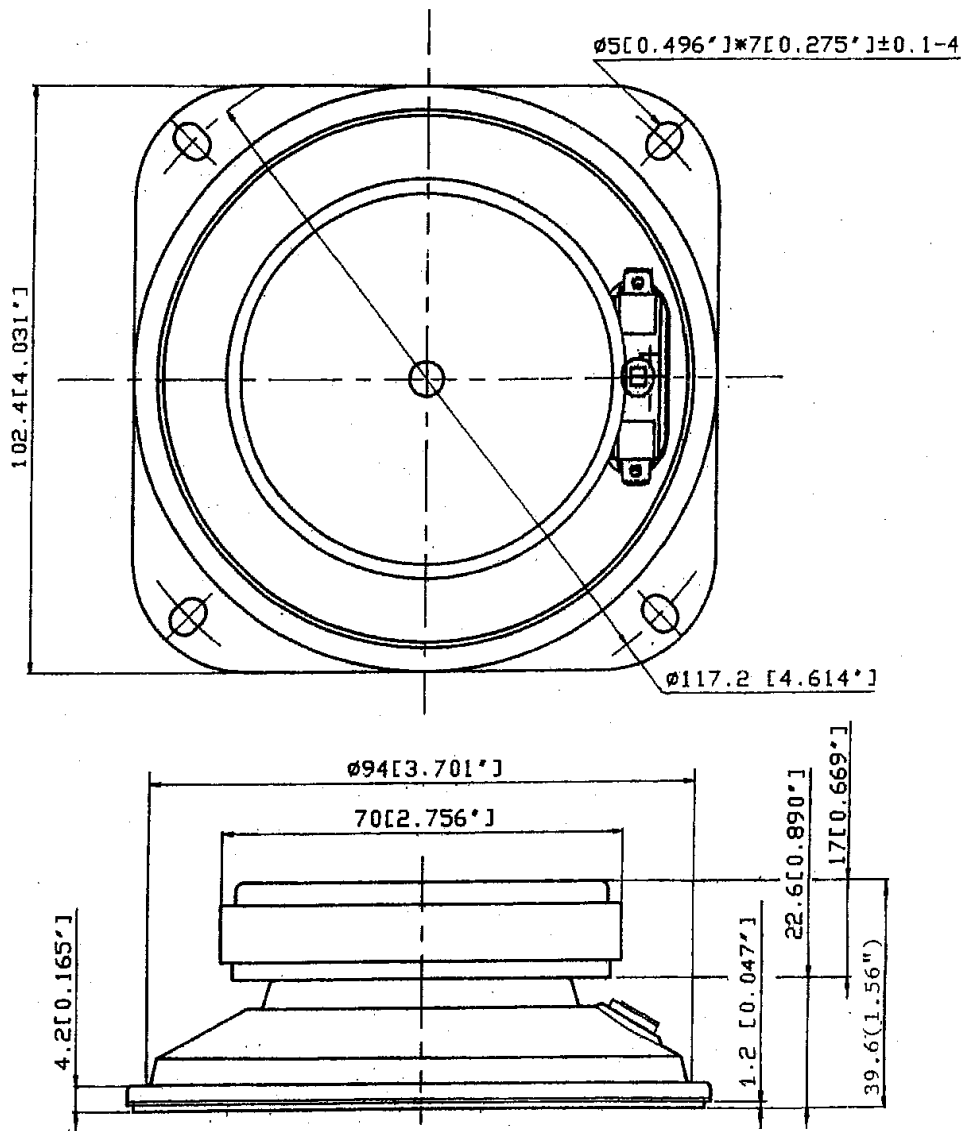
SHOGYO INTERNATIONAL CORP.

www.shogyo.com

SPEAKER SPECIFICATIONS

| | | | | | |
|------------------|---------------------------|--|---|-------------|--|
| MODEL NO. | GF1005MX (RoHS) | | | | |
| 1 | NOMINAL SIZE | 102.2 mm | 4 | inch | |
| 2 | IMPEDANCE | 8 Ω ± 15% | at. 800 Hz | 1 V | |
| 3 | RESONANCE FO | 820 Hz ± 164 Hz | FO Hz | 1 V | |
| 4 | S.P. LEVEL | 100 dB/w ± 3 dB | 1 W 50 cm average at 1K, 1.5K, 2K, 3K Hz | | |
| 5 | FREQ. RESPONSE | Fo Hz ~ 6.5K Hz | | | |
| 6 | INPUT POWER | Nominal Input 15 W | Handling Capacity 20 W | | |
| 7 | OPERATION | Must be normal at program source 15 W | | | |
| 8 | BUZZ, RATTLE, ETC. | Must be normal at Sine Wave 10 V | | | |
| 9 | MAGNET | FERRITE 70 x 32 x 10 mm | | | |
| 10 | FLUX DENSITY | Gauss ± 10% | | | |
| 11 | TOTAL WEIGHT | 405 | gr | oz | |
| 12 | LOAD TEST | After test meets Item 7 and 8 | White noise 15 W 24 Hours at 25° C (room temp) | | |
| 13 | DISTORTION | | | | |
| 14 | HEAT TEST | After test meets Item 7 and 8 | 60 ± 2° C 20-50 % R.H. 24 Hours | | |
| 15 | HUMIDITY TEST | After test meet Item 7 and 8 | 40 ± 2° C 90-95 % R.H. 24 Hours | | |





MODEL NO. GF1005MX RoHS

| APPROVED | CHECKED | DRAWING |
|----------|---------|---------|
| | | |