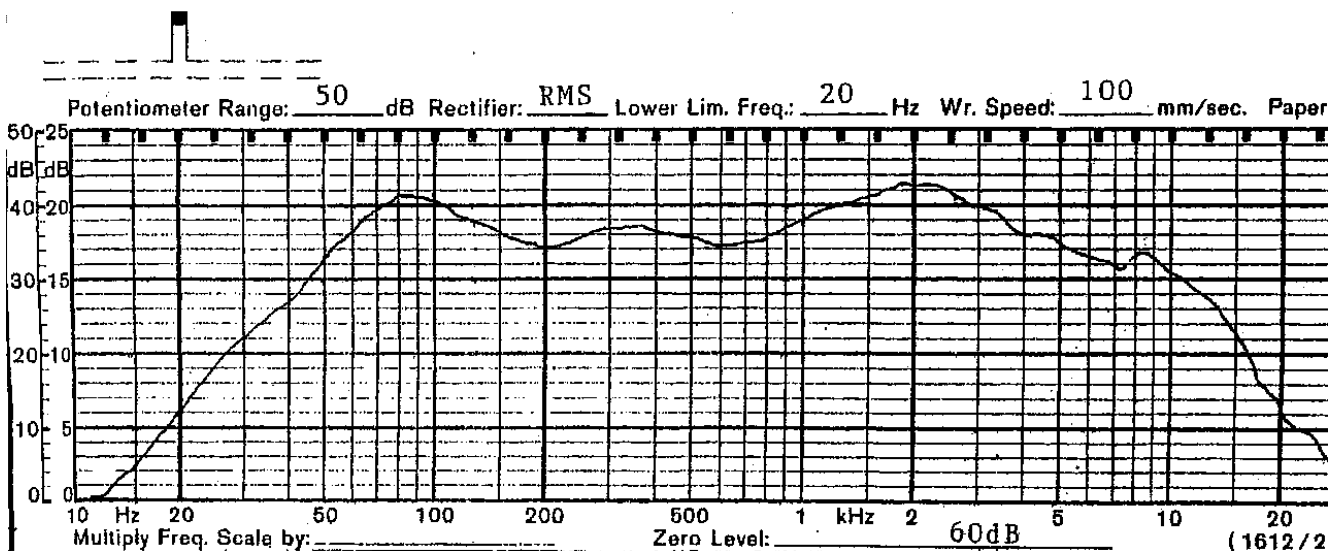


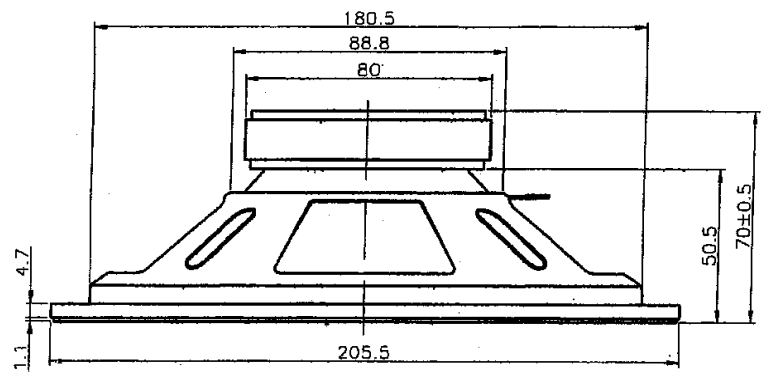
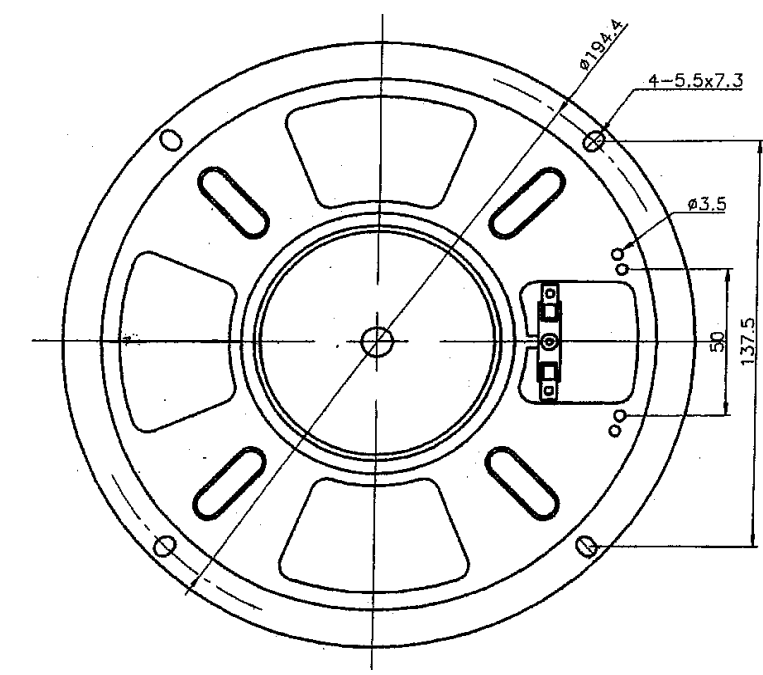
# SHOGYO INTERNATIONAL CORP.

www.shogyo.com

## SPEAKER SPECIFICATIONS

MODEL NO.	<b>GF2002C-1X (RoHS)</b>					
1	NOMINAL SIZE	205 mm	8 inch			
2	IMPEDANCE	8 $\Omega \pm 15\%$	at. 200 Hz	1 V		
3	RESONANCE FO	75 Hz $\pm 15$ Hz	FO Hz	1 V		
4	OUTPUT S.P.L.	96 dB $\pm 2$ dB	1 W 50 cm average at			
5	FREQ. RESPONSE	Fo Hz ~ 15K Hz	MAX 10 dB	300, 400, 500, 600 Hz		
6	INPUT POWER	Rated power 20 W				
7	OPERATION	Must be normal at program source 20 W				
8	BUZZ, RATTLE, ETC.	Must be normal at Sine Wave 6.3 V				
9	MAGNET	80 x 40 x 12 mm				
10	FLUX DENSITY	Gauss $\pm 10\%$	total flux max well within			
11	DISTORTION					
12	LOAD TEST	After test meet Item 7 and 8	White noise 20 W 24 Hours			
13	OPERATION TEMP.					
14	HEAT TEST	After test meet Item 7 and 8	70 $\pm 2^\circ$ C 20-50 % R.H. 24 Hours			
15	HUMIDITY TEST	After test meet Item 7 and 8	40 $\pm 2^\circ$ C 90-95 % R.H. 24 Hours			





<b>MODEL NO.</b>		
<b>GF2002C-1X</b>		
APPROVED	CHECKED	DRAWING