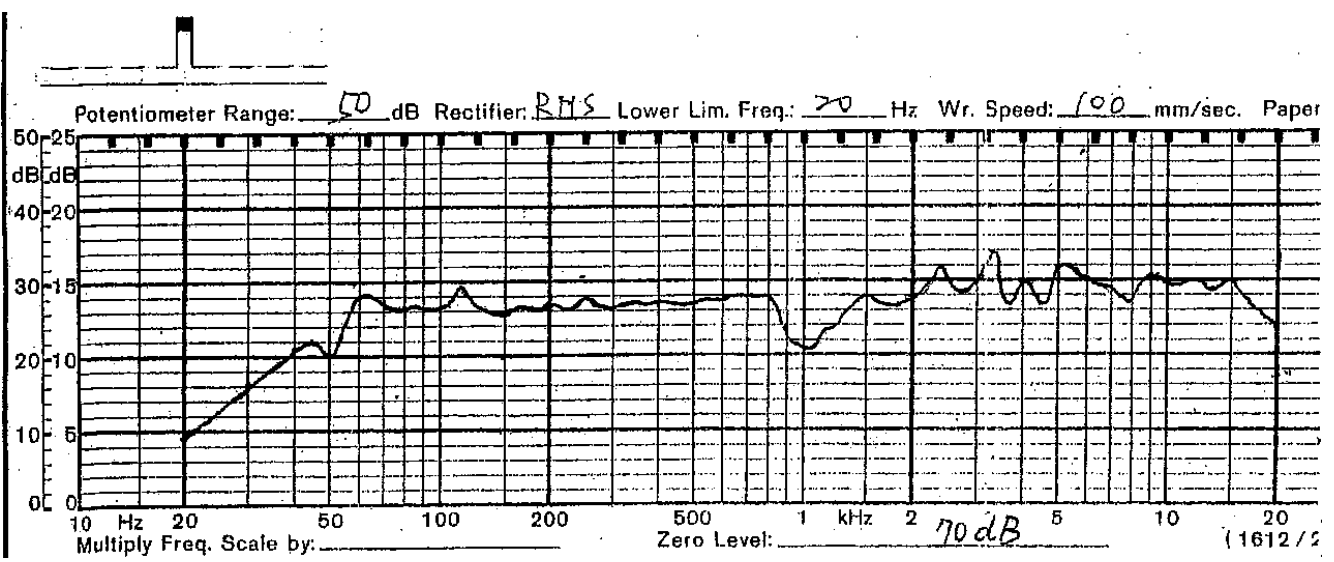


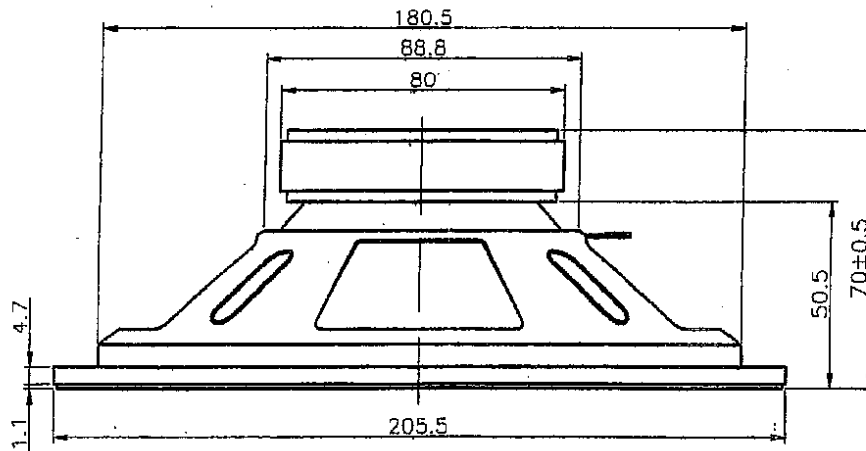
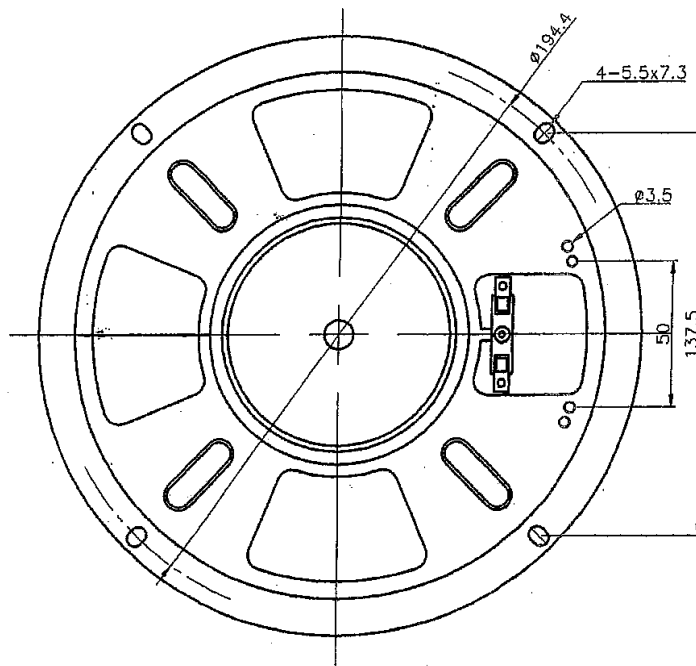
SHOGYO INTERNATIONAL CORP.

www.shogyo.com

SPEAKER SPECIFICATIONS

MODEL NO.	GF2002CX-2 (RoHS)				
1	NOMINAL SIZE	200 mm	8 inch		
2	IMPEDANCE	8 Ω \pm 15%	at. 300 Hz	1 V	
3	RESONANCE FO	60 Hz \pm 12 Hz	FO Hz	1 V	
4	S.P.L. LEVEL	96 dB/w \pm 2 dB	50 cm average at		
5	FREQ. RESPONSE	Fo Hz ~ 20K Hz	MAX 10 dB	300, 400, 500, 600 Hz	
6	INPUT POWER	Nominal Input 15 W	Handling Capacity 25 W		
7	OPERATION	Must be normal at program source 15 W			
8	BUZZ, RATTLE, ETC.	Must be normal at Sine Wave 6.3 V			
9	MAGNET	80 x 40 x 15 mm			
10	FLUX DENSITY	Gauss \pm 10% total flux max well within			
11	DISTORTION				
12	LOAD TEST	After test meet Item 7 and 8	White noise 15 W 24 Hours		
13	OPERATION TEMP.				
14	HEAT TEST	After test meet Item 7 and 8	60 \pm 2° C 20-50 % R.H. 24 Hours		
15	HUMIDITY TEST	After test meet Item 7 and 8	40 \pm 2° C 90-95 % R.H. 24 Hours		





MODEL NO. GF2002CX-2

APPROVED	CHECKED	DRAWING