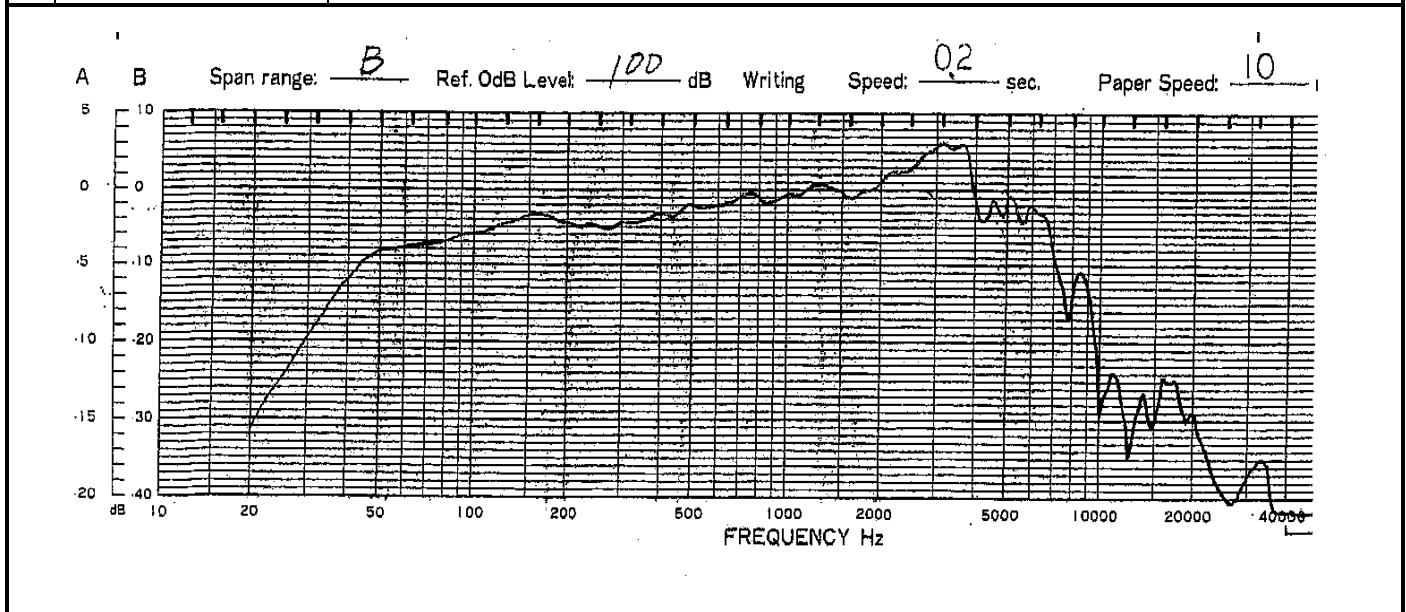


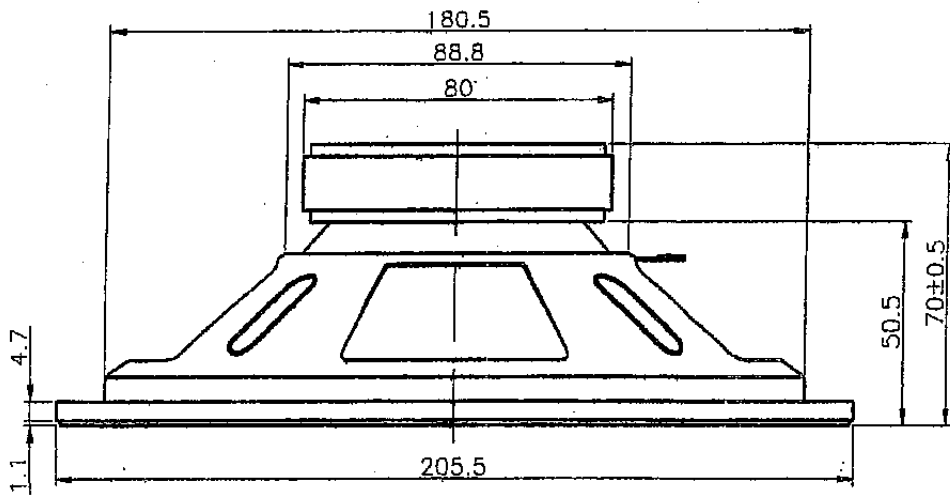
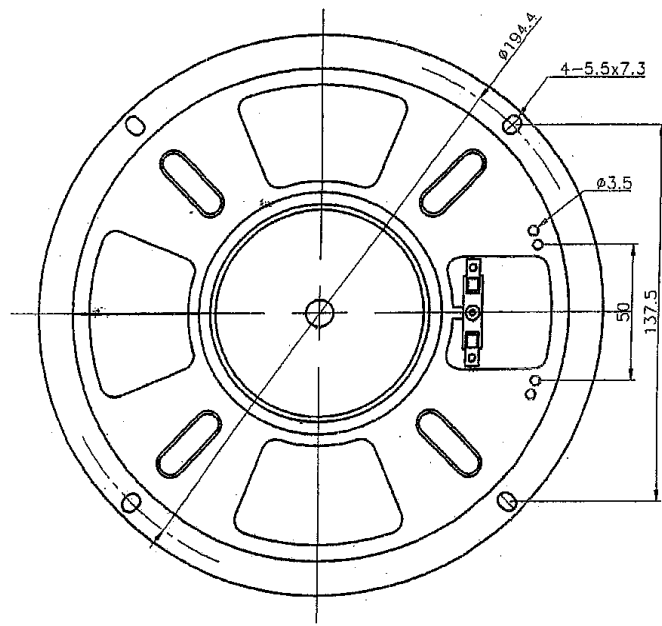
SHOGYO INTERNATIONAL CORP.

www.shogyo.com

SPEAKER SPECIFICATIONS

MODEL NO.	GF2002X (RoHS)				
1	NOMINAL SIZE	205 mm	8 inch		
2	IMPEDANCE	8 Ω ± 15%	at. 200 Hz	1 V	
3	RESONANCE FO	55 Hz ± 8 Hz	FO Hz	1 V	
4	S.P.L. LEVEL	97 dB/w ± 2 dB	1 W 50 cm average at		
5	FREQ. RESPONSE	Fo Hz ~ 7K Hz	MAX 10 dB	150, 200, 300, 400 Hz	
6	INPUT POWER	Nominal Input 20 W	Handling Capacity 30 W		
7	OPERATION	Must be normal at program source 20 W			
8	BUZZ, RATTLE, ETC.	Must be normal at Sine Wave 7.00 V			
9	MAGNET	80 x 40 x 15 mm			
10	FLUX DENSITY	Gauss ± 10% total flux max well within			
11	DISTORTION				
12	LOAD TEST	After test meet Item 7 and 8	White noise 20 W 48 Hours		
13	OPERATION TEMP.				
14	HEAT TEST	After test meet Item 7 and 8	70 ± 2° C 20-50 % R.H. 48 Hours		
15	HUMIDITY TEST	After test meet Item 7 and 8	40 ± 2° C 90-95 % R.H. 48 Hours		





MODEL NO.

GF2002X

APPROVED

CHECKED

DRAWING