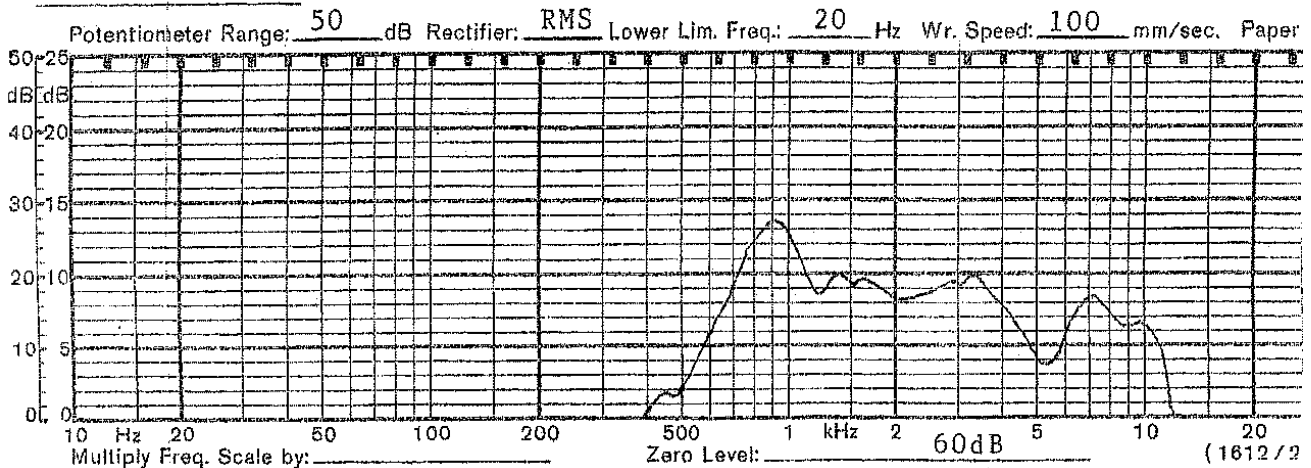


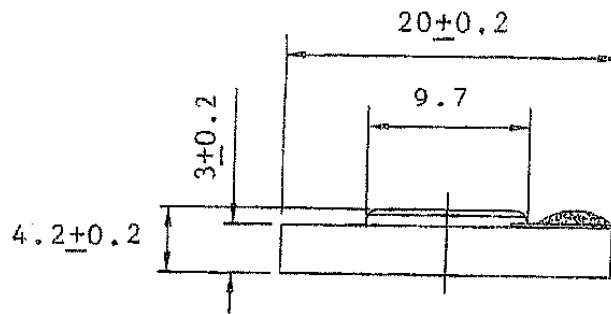
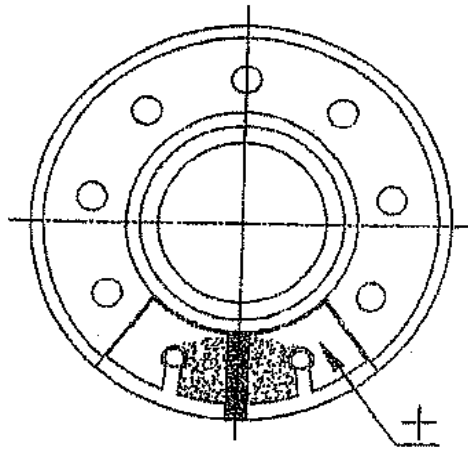
SHOGYO INTERNATIONAL CORP.

www.shogyo.com

SPEAKER SPECIFICATIONS

MODEL NO.	GC0201MX (RoHS)				
1	NOMINAL SIZE	20 mm	inch		
2	IMPEDANCE	8 Ω \pm 15%	at. 1.5K Hz	1 V	
3	RESONANCE FO	850 Hz \pm 170 Hz	FO Hz	1 V	
4	S.P.L. LEVEL	78 dB/w \pm 3 dB	0.1 W 50 cm average at 1.2K, 1.5K, 2K, 2.5K Hz		
5	FREQ. RESPONSE	Fo Hz ~ 7K Hz			
6	INPUT POWER	Rated power 0.1 W	Handling Capacity 0.2 W		
7	OPERATION	Must be normal at program source 0.1 W			
8	BUZZ, RATTLE, ETC.	Must be normal at Sine Wave 0.9 V			
9	MAGNET	6.5 x 1.5 mm			
10	FLUX DENSITY	Gauss \pm 10% total flux max well within			
11	DISTORTION				
12	LOAD TEST	After test meet Item 7 and 8	White noise 0.1 W 5 Hours		
13	OPERATION TEMP.				
14	HEAT TEST	After test meet Item 7 and 8	65 \pm 2° C 20-50 % R.H. 5 Hours		
15	HUMIDITY TEST	After test meet Item 7 and 8	40 \pm 2° C 90-95 % R.H. 5 Hours		





MODEL NO. GC0201MX

APPROVED	CHECKED	DRAWING