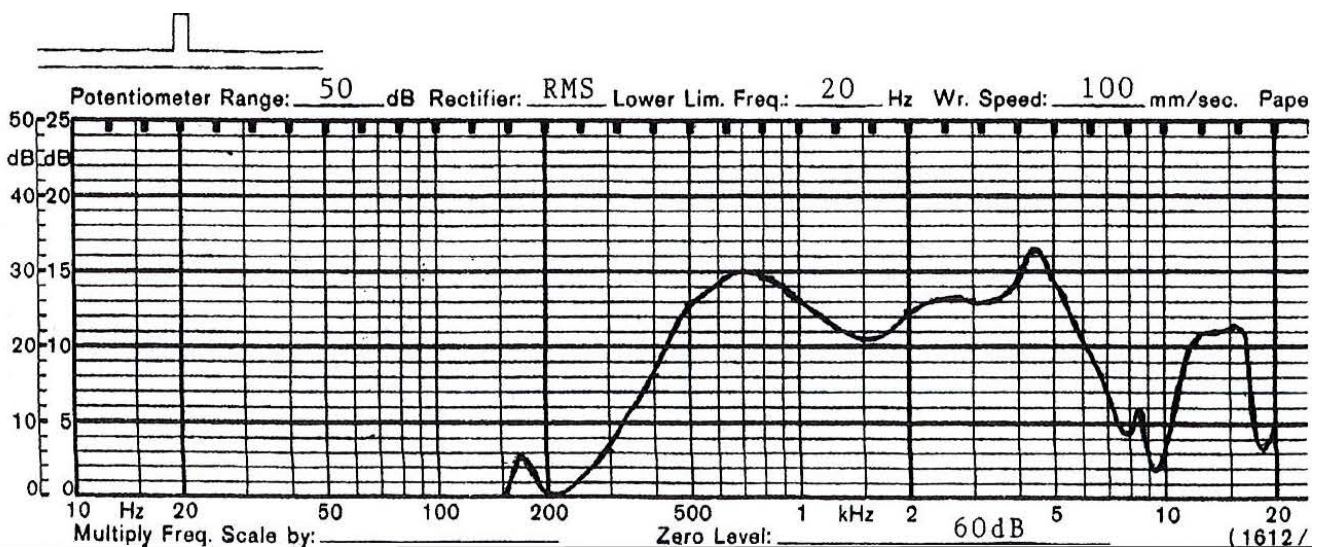


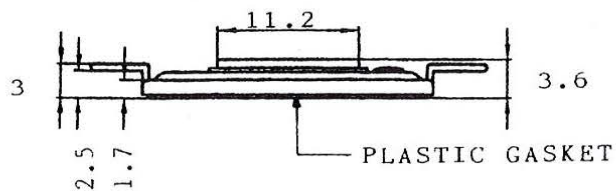
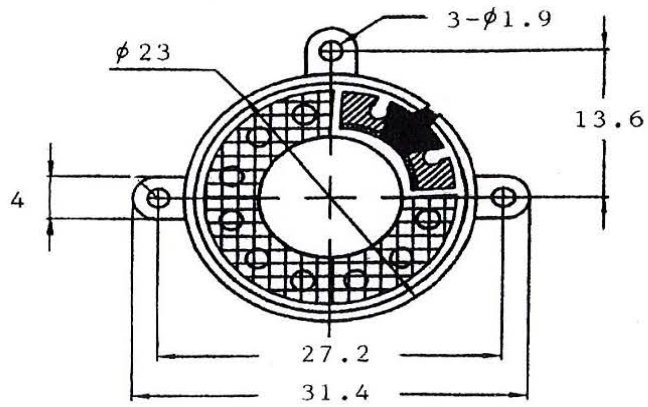
SHOGYO INTERNATIONAL CORP.

www.shogyo.com

SPEAKER SPECIFICATIONS

MODEL NO.	GC0231MA3EX (RoHS)				
1	NOMINAL SIZE	23 mm			
2	IMPEDANCE	32 Ω \pm 15%			
3	RESONANCE FO	680 Hz \pm 136 Hz			
4	OUTPUT S.P.L.	84 dB/w \pm 3 dB	0.2 W 50 cm average at		
5	FREQ. RESPONSE	Fo Hz ~7K Hz MAX 10dB	1K, 1.2K, 1.5K, 2K Hz		
6	INPUT POWER	Rated power 0.2 W	Max power 0.4 W		
7	OPERATION	Must be normal at program source 0.5 W			
8	BUZZ, RATTLE, ETC.	Must be normal at Sine Wave 2.53 V			
9	MAGNET	8.0 x 1.0 mm			
10	FLUX DENSITY	Gauss \pm 10%	total flux max well within		
11	DISTORTION				
12	LOAD TEST	After test meet Item 7 and 8	White noise 0.2 W 24 Hours		
13	OPERATION TEMP.				
14	HEAT TEST	After test meet Item 7 and 8	60 \pm 2 $^{\circ}$ C 20-50 % R.H. 24 Hours		
15	HUMIDITY TEST	After test meet Item 7 and 8	40 \pm 2 $^{\circ}$ C 90-95 % R.H. 24 Hours		





TOLERANCE: $\pm 0.3\text{MM}$

MODEL NO.

GC0231MA3EX

APPROVED

CHECKED

DRAWING