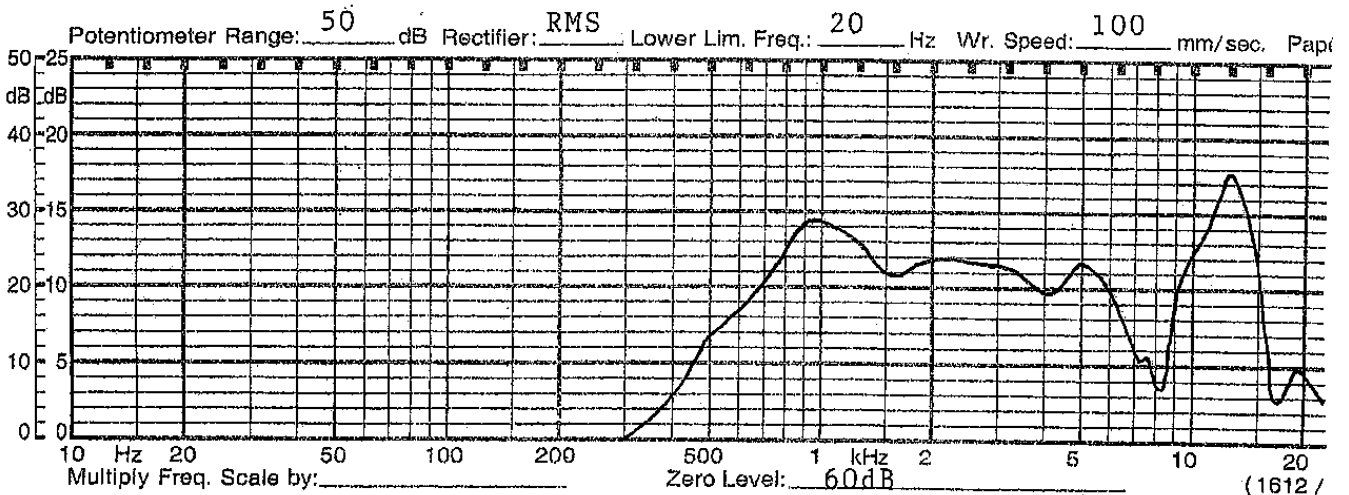


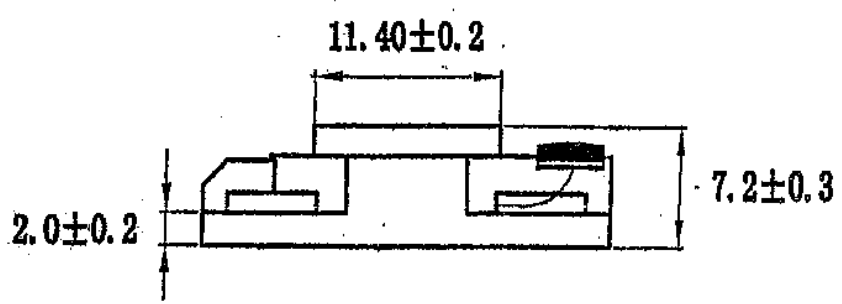
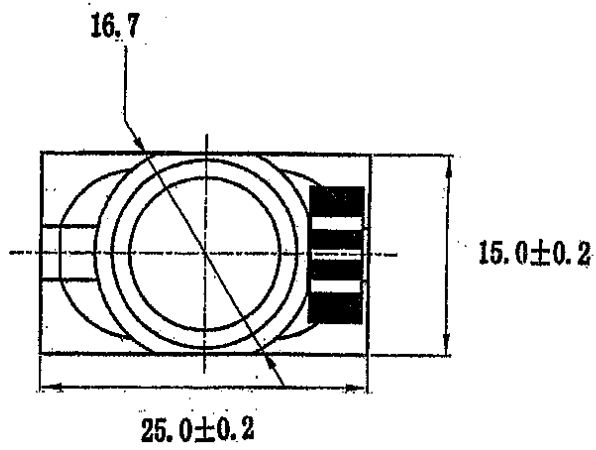
SHOGYO INTERNATIONAL CORP.

www.shogyo.com

SPEAKER SPECIFICATIONS

MODEL NO.		GC0251KAFX (RoHS)				
1	NOMINAL SIZE	25 x 15 x 7.2 mm	inch			
2	IMPEDANCE	8 Ω ± 15%	at. 1K Hz	1 V		
3	RESONANCE FO	920 Hz ± 184 Hz	FO Hz	1 V		
4	S.P.L. LEVEL	83 dB/w ± 3 dB	1 W 50 cm average at			
5	FREQ. RESPONSE	Fo Hz ~ 20K Hz	MAX 10 dB	1K, 1.2K, 1.5K, 2K Hz		
6	INPUT POWER	Nominal Input 1 W	Handling Capacity 2 W			
7	OPERATION	Must be normal at program source 1 W				
8	BUZZ, RATTLE, ETC.	Must be normal at Sine Wave 2.83 V				
9	MAGNET	8.0 x 2.0 mm				
10	FLUX DENSITY	Gauss ± 10%	total flux max well within			
11	TOTAL WEIGHT					
12	LOAD TEST	After test meet Item 7 and 8	White noise 1 W 24 Hours			
13	OPERATION TEMP.					
14	HEAT TEST	After test meet Item 7 and 8	60 ± 2° C 20-50 % R.H. 24 Hours			
15	HUMIDITY TEST	After test meet Item 7 and 8	40 ± 2° C 90-95 % R.H. 24 Hours			





MODEL NO. GC0251KAFX		
APPROVED	CHECKED	DRAWING