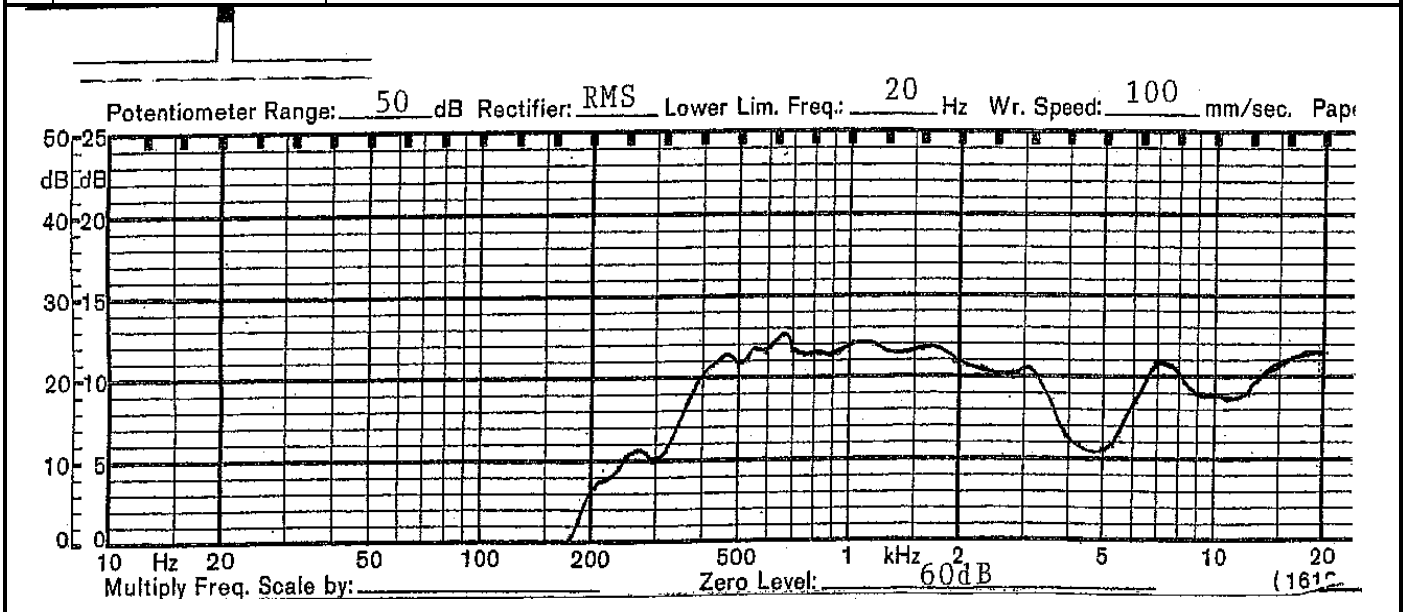


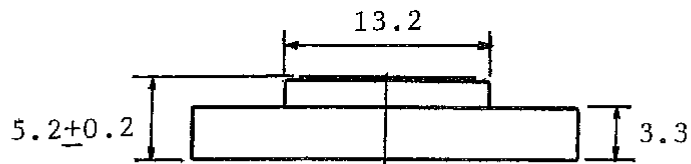
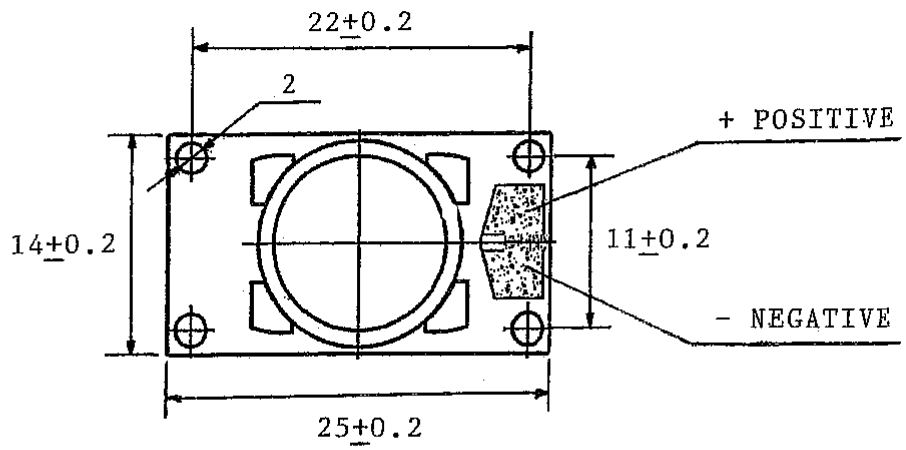
# SHOGYO INTERNATIONAL CORP.

www.shogyo.com

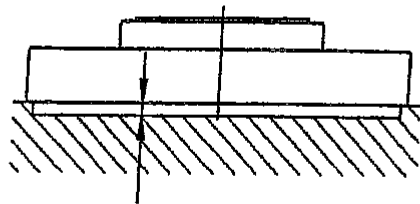
## SPEAKER SPECIFICATIONS

MODEL NO.	<b>GC0251KX (RoHS)</b>				
1	NOMINAL SIZE	<b>14 x 25 mm</b>	<b>inch</b>		
2	IMPEDANCE	<b>8 Ω ± 15%</b>	<b>at. 1.5K Hz</b>	<b>1 V</b>	
3	RESONANCE FO	<b>740 Hz ± 148 Hz</b>	<b>FO Hz</b>	<b>1 V</b>	
4	S.P.L. LEVEL	<b>81 dB/w ± 3 dB</b>	<b>1 W 50 cm average at</b>		
5	FREQ. RESPONSE	<b>Fo Hz ~ 20K Hz</b>	<b>MAX 10 dB</b>	<b>800, 1K, 1.2K, 1.5K Hz</b>	
6	INPUT POWER	Nominal Input <b>1 W</b>	Handling Capacity <b>1.5 W</b>		
7	OPERATION	Must be normal at program source <b>1 W</b>			
8	BUZZ, RATTLE, ETC.	Must be normal at Sine Wave <b>2.83 V</b>			
9	MAGNET	<b>7.9 x 1.3 mm</b>			
10	FLUX DENSITY	<b>Gauss ± 10%</b>	<b>total flux max well within</b>		
11	DISTORTION				
12	LOAD TEST	After test meet Item 7 and 8	White noise <b>1 W 24 Hours</b>		
13	OPERATION TEMP.				
14	HEAT TEST	After test meet Item 7 and 8	<b>60 ± 2° C 20-50 % R.H. 24 Hours</b>		
15	HUMIDITY TEST	After test meet Item 7 and 8	<b>40 ± 2° C 90-95 % R.H. 24 Hours</b>		





MOUNTING NOTICE



AT LEAST 0.8 M/M FOR DIAPHRAGM MOVING

MODEL NO. GC0251KX

APPROVED	CHECKED	DRAWING