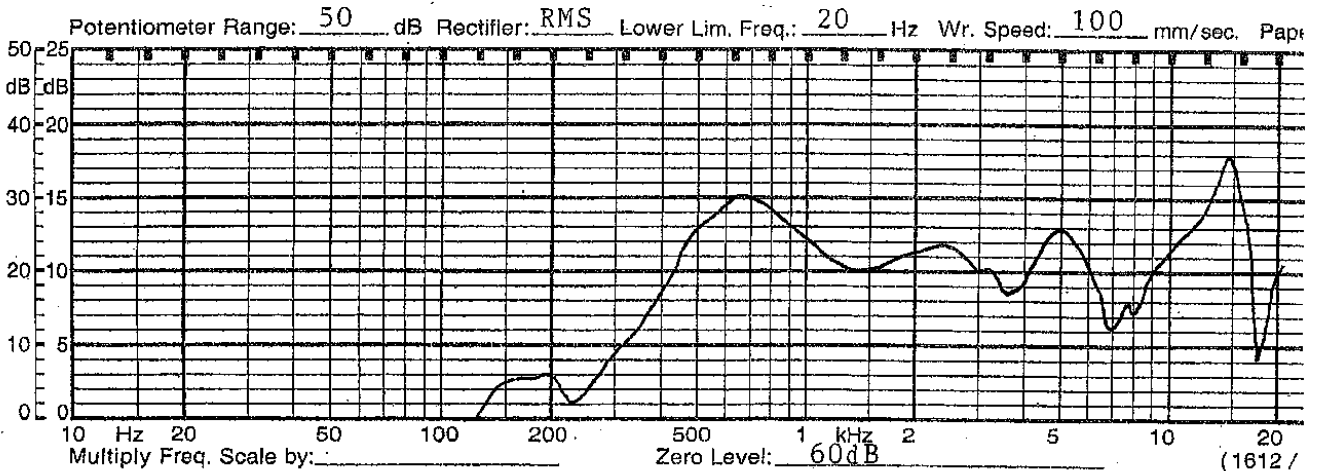


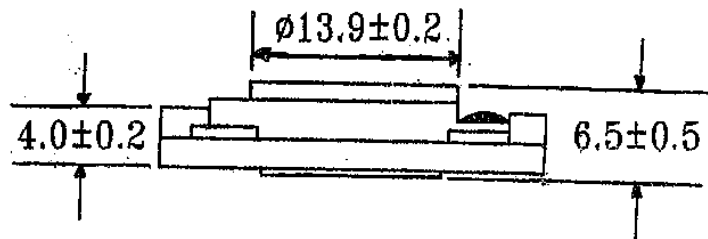
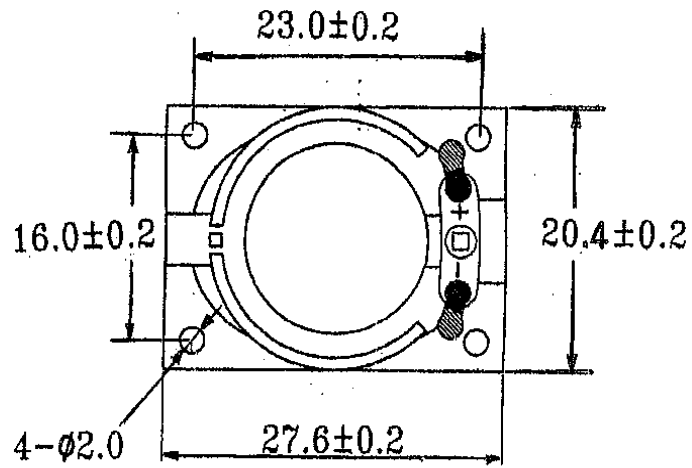
SHOGYO INTERNATIONAL CORP.

www.shogyo.com

SPEAKER SPECIFICATIONS

MODEL NO.	GC0271KAFX (RoHS)				
1	NOMINAL SIZE	20.4 x 27.6 x 6.5H mm inch			
2	IMPEDANCE	8 Ω ± 15% at. 1K Hz 1 V			
3	RESONANCE FO	650 Hz ± 130 Hz FO Hz 1 V			
4	S.P.L. LEVEL	83 dB/w ± 3 dB	1 W 50 cm average at		
5	FREQ. RESPONSE	Fo Hz ~ 20K Hz MAX 10 dB	800, 1K, 1.2K, 1.5K Hz		
6	INPUT POWER	Nominal Input 1 W Handling Capacity 2 W			
7	OPERATION	Must be normal at program source 1 W			
8	BUZZ, RATTLE, ETC.	Must be normal at Sine Wave 2.83 V			
9	MAGNET	11.0 x 1.5 mm			
10	FLUX DENSITY	Gauss ± 10% total flux max well within			
11	DISTORTION				
12	LOAD TEST	After test meet Item 7 and 8 White noise 1 W 5 Hours			
13	OPERATION TEMP.				
14	HEAT TEST	After test meet Item 7 and 8 65 ± 2° C 20-50 % R.H. 24 Hours			
15	HUMIDITY TEST	After test meet Item 7 and 8 40 ± 2° C 90-95 % R.H. 24 Hours			





MODEL NO. GC0271KAFX

APPROVED	CHECKED	DRAWING