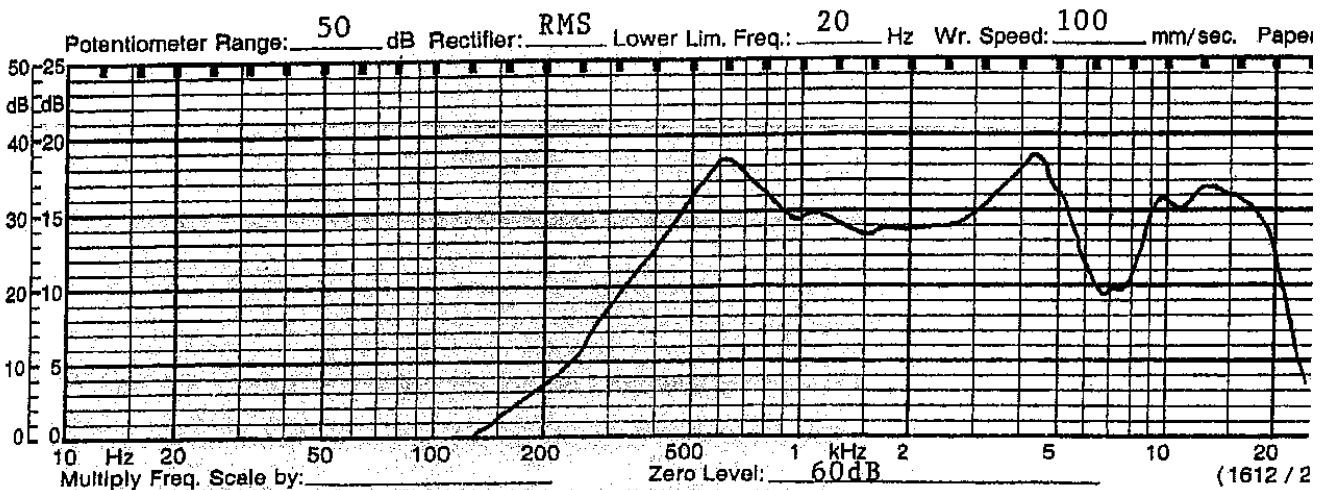


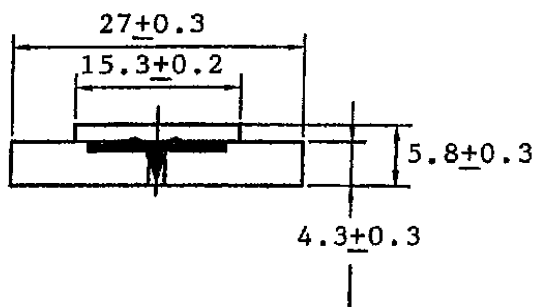
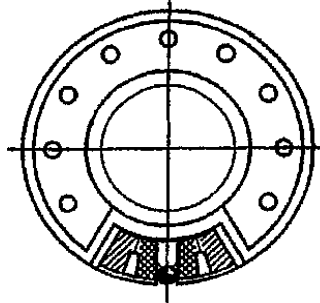
SHOGYO INTERNATIONAL CORP.

www.shogyo.com

SPEAKER SPECIFICATIONS

| | | | | | |
|-----------|--------------------|--|--|-----|--|
| MODEL NO. | GC0271MX (RoHS) | | | | |
| 1 | NOMINAL SIZE | 27 mm | | | |
| 2 | IMPEDANCE | 8 Ω \pm 15% | at. 1K Hz | 1 V | |
| 3 | RESONANCE FO | 530 Hz \pm 106 Hz | FO Hz | 1 V | |
| 4 | OUTPUT S.P.L. | 89 dB/w \pm 3 dB | 0.1 W 50 cm average at 800, 1K, 1.2K, 1.5K Hz | | |
| 5 | FREQ. RESPONSE | Fo Hz ~ 20K Hz | | | |
| 6 | INPUT POWER | Rated power 0.1 W | Max power 0.2 W | | |
| 7 | OPERATION | Must be normal at program source 0.1 W | | | |
| 8 | BUZZ, RATTLE, ETC. | Must be normal at Sine Wave 0.89 V | | | |
| 9 | MAGNET | 9.5 x 1.5 mm | | | |
| 10 | FLUX DENSITY | Gauss \pm 10% | total flux max well within | | |
| 11 | DISTORTION | | | | |
| 12 | LOAD TEST | After test meet Item 7 and 8 | White noise 0.1 W 24 Hours | | |
| 13 | OPERATION TEMP. | | | | |
| 14 | HEAT TEST | After test meet Item 7 and 8 | 60 \pm 2° C 20-50 % R.H. 24 Hours | | |
| 15 | HUMIDITY TEST | After test meet Item 7 and 8 | 40 \pm 2° C 90-95 % R.H. 24 Hours | | |





MODEL NO.

GC0271MX

APPROVED

CHECKED

DRAWING