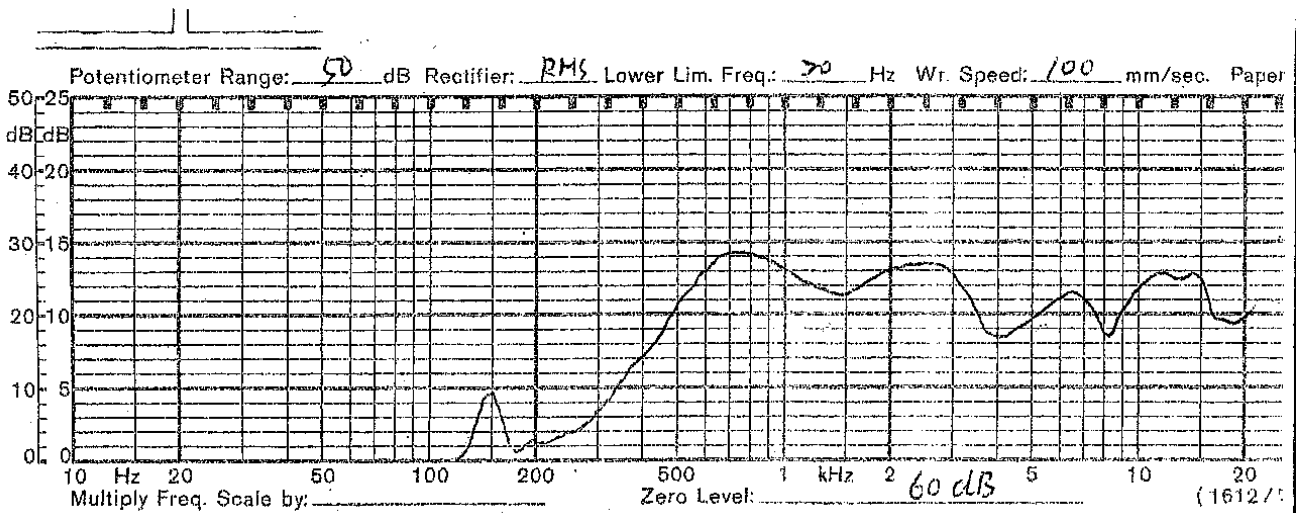


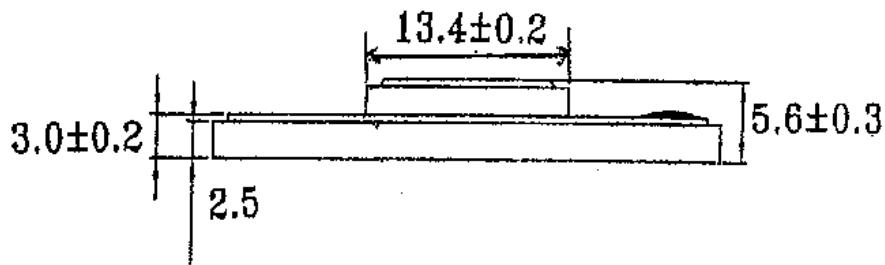
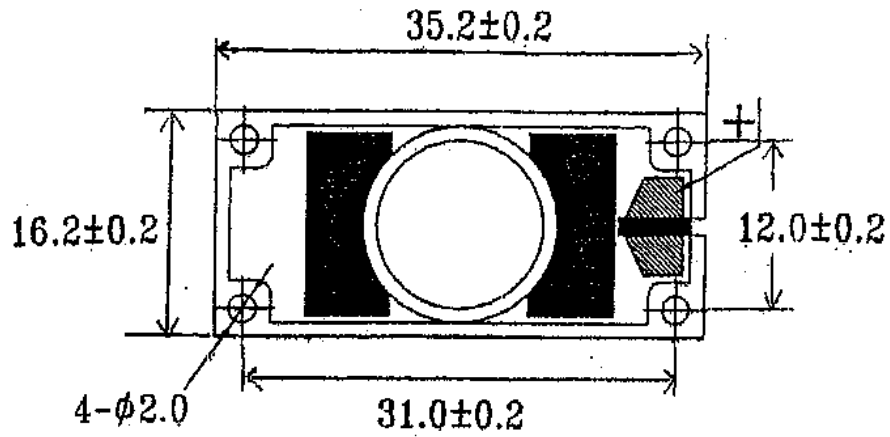
SHOGYO INTERNATIONAL CORP.

www.shogyo.com

SPEAKER SPECIFICATIONS

MODEL NO.	GC0351KBFX (RoHS)					
1	NOMINAL SIZE	35.2 x 16.2 x 5.6 mm	inch			
2	IMPEDANCE	8 Ω ± 15%	at. 1K Hz		1 V	
3	RESONANCE FO	640 Hz ± 128 Hz	FO Hz		1 V	
4	S.P.L. LEVEL	85 dB/w ± 3 dB	1 W 50 cm average at			
5	FREQ. RESPONSE	Fo Hz ~ 20K Hz	MAX 10 dB	800, 1K, 1.2K, 1.5K Hz		
6	INPUT POWER	Nominal Input 1 W	Handling Capacity 2 W			
7	OPERATION	Must be normal at program source 1 W				
8	BUZZ, RATTLE, ETC.	Must be normal at Sine Wave 2.83 V				
9	MAGNET	8.0 x 1.5 mm				
10	FLUX DENSITY	Gauss ± 10%	total flux max well within			
11	DISTORTION					
12	LOAD TEST	After test meet Item 7 and 8	White noise 1 W 24 Hours			
13	OPERATION TEMP.					
14	HEAT TEST	After test meet Item 7 and 8	65 ± 2° C 20-50 % R.H. 24 Hours			
15	HUMIDITY TEST	After test meet Item 7 and 8	40 ± 2° C 90-95 % R.H. 24 Hours			





MODEL NO. GC0351KBFX		
APPROVED	CHECKED	DRAWING