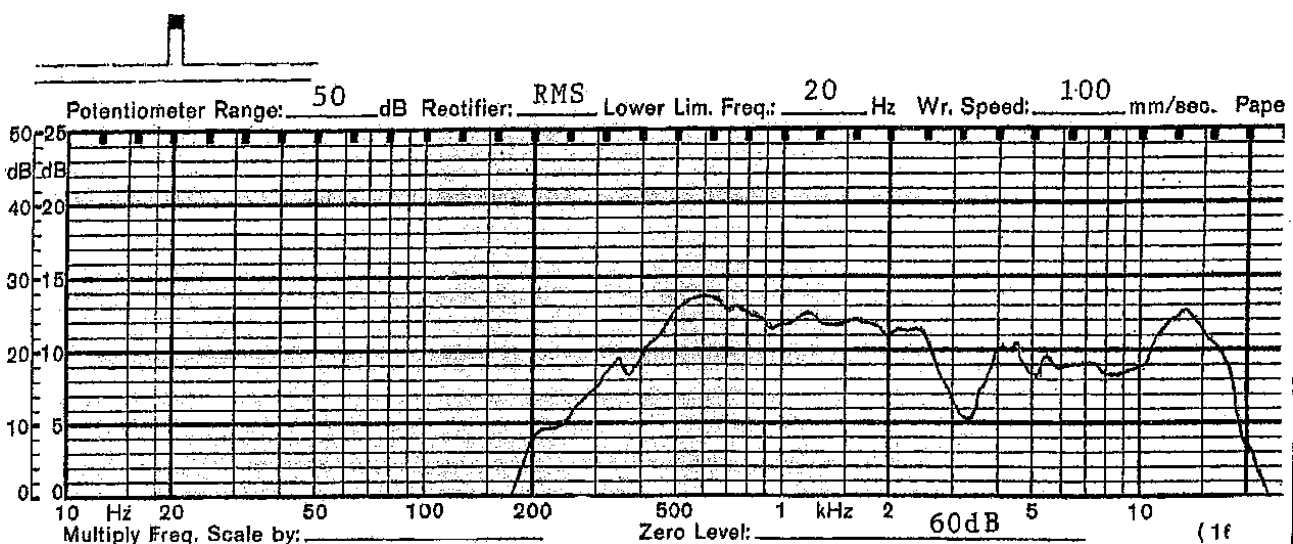


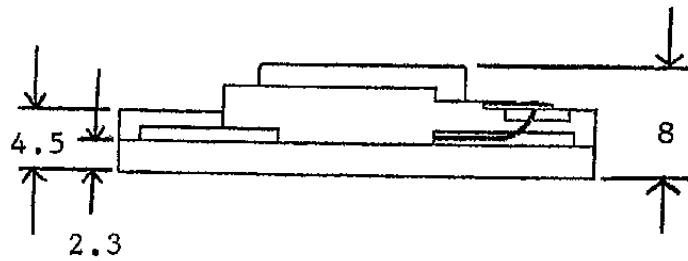
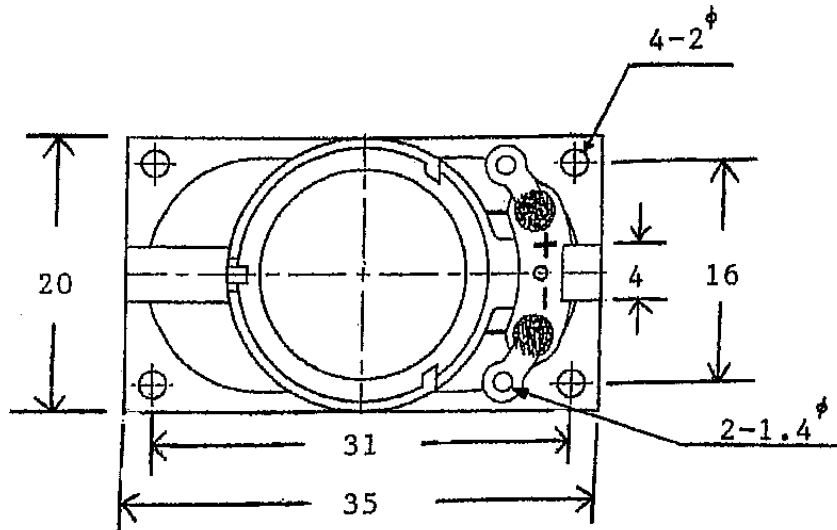
# SHOGYO INTERNATIONAL CORP.

www.shogyo.com

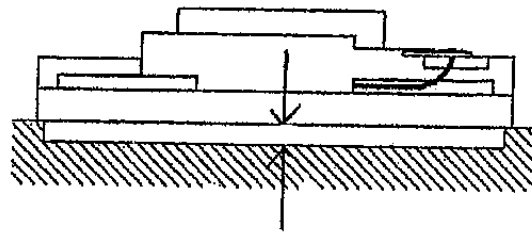
## SPEAKER SPECIFICATIONS

MODEL NO.	GC0351KX (RoHS)				
1	NOMINAL SIZE	20 x 35 mm	inch		
2	IMPEDANCE	8 $\Omega$ $\pm$ 15%	at. 1K Hz	1 V	
3	RESONANCE FO	550 Hz $\pm$ 110 Hz	FO Hz	1 V	
4	S.P.L. LEVEL	85 dB/w $\pm$ 3 dB	1 W 50 cm average at		
5	FREQ. RESPONSE	Fo Hz ~ 11K Hz	600, 800, 1K, 1.2K Hz		
6	INPUT POWER	Nominal Input 1 W	Handling Capacity 1.5 W		
7	OPERATION	Must be normal at program source 1 W			
8	BUZZ, RATTLE, ETC.	Must be normal at Sine Wave 2.9 V			
9	MAGNET	11 x 1.5 mm			
10	FLUX DENSITY	Gauss $\pm$ 10% total flux max well within			
11	DISTORTION				
12	LOAD TEST	After test meet Item 7 and 8	White noise 1 W 24 Hours		
13	OPERATION TEMP.				
14	HEAT TEST	After test meet Item 7 and 8	60 $\pm$ 2° C 20-50 % R.H. 24 Hours		
15	HUMIDITY TEST	After test meet Item 7 and 8	40 $\pm$ 2° C 90-95 % R.H. 24 Hours		





MOUNTING NOTICE



AT LEAST 1 M/M GAP FOR  
CONEPAPER OPERATING

TOLERANCE:  $\pm 0.5$  MM

MODEL NO.

GC0351KX

APPROVED

CHECKED

DRAWING