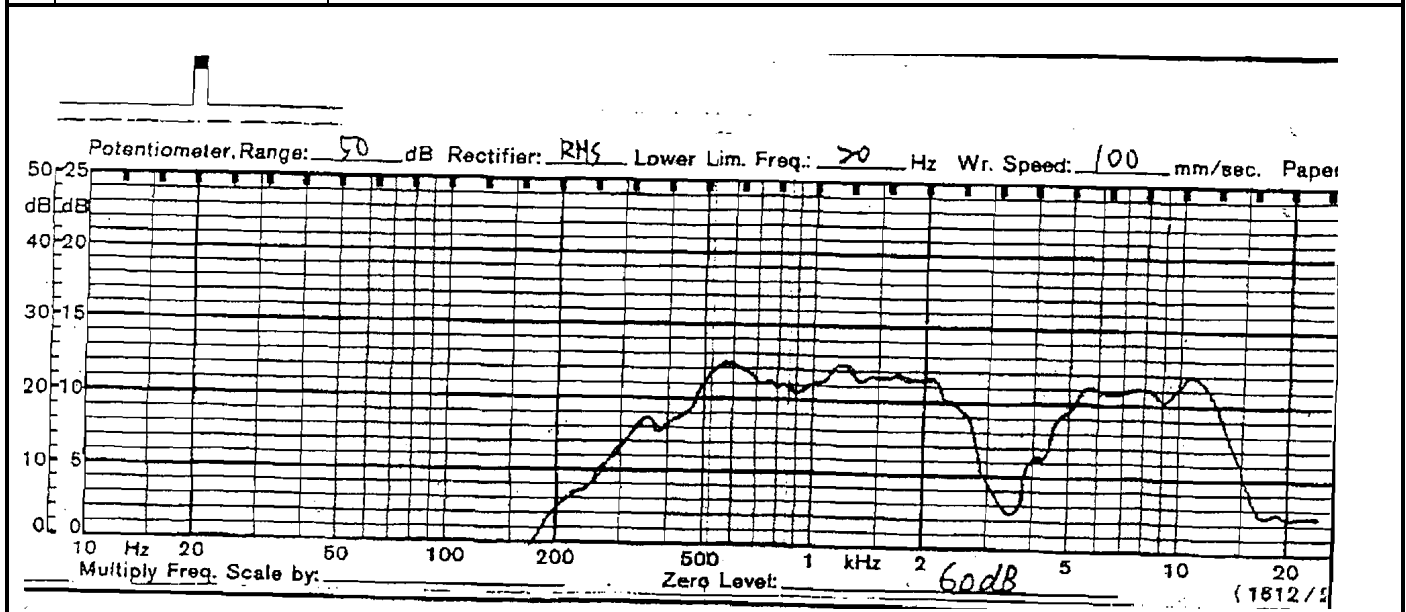


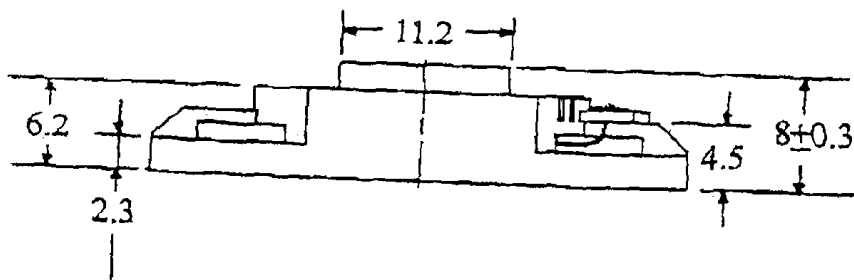
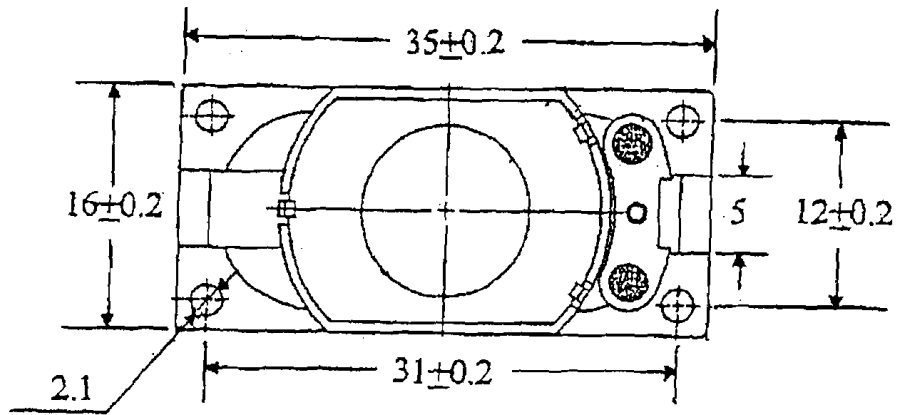
SHOGYO INTERNATIONAL CORP.

www.shogyo.com

SPEAKER SPECIFICATIONS

MODEL NO.	GC0351PX (RoHS)				
1	NOMINAL SIZE	16 x 35 mm	inch		
2	IMPEDANCE	8 Ω ± 15%	at. 1.2K Hz 1 V		
3	RESONANCE FO	550 Hz ± 110 Hz	FO Hz 1 V		
4	S.P.L. LEVEL	84 dB/w ± 3 dB	1.2 W 50 cm average at		
5	FREQ. RESPONSE	Fo Hz ~ 13K Hz	MAX 10 dB	600, 800, 1K, 1.2K Hz	
6	INPUT POWER	Nominal Input 1 W	Handling Capacity 2 W		
7	OPERATION	Must be normal at program source 1 W			
8	BUZZ, RATTLE, ETC.	Must be normal at Sine Wave 2.9 V			
9	MAGNET	8 x 2 mm			
10	FLUX DENSITY	Gauss ± 10% total flux max well within			
11	DISTORTION				
12	LOAD TEST	After test meet Item 7 and 8	White noise 1 W 24 Hours		
13	OPERATION TEMP.				
14	HEAT TEST	After test meet Item 7 and 8	65 ± 2° C 20-50 % R.H. 24 Hours		
15	HUMIDITY TEST	After test meet Item 7 and 8	40 ± 2° C 90-95 % R.H. 24 Hours		





MODEL NO.		GC0351PX
APPROVED	CHECKED	DRAWING