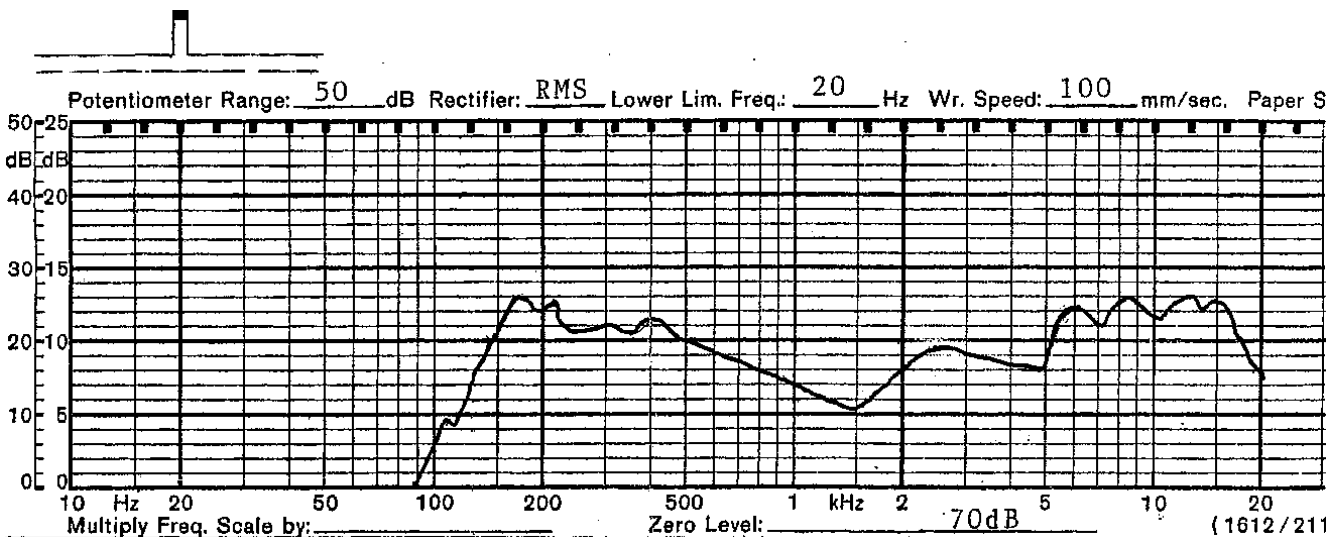


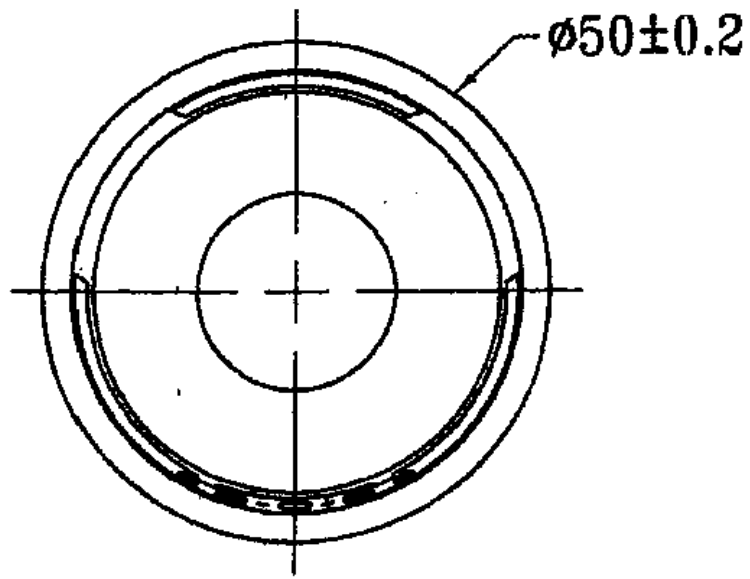
SHOGYO INTERNATIONAL CORP.

www.shogyo.com

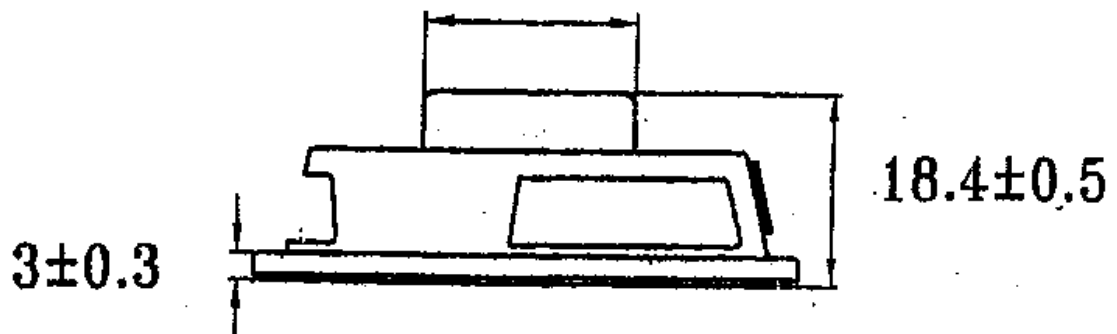
SPEAKER SPECIFICATIONS

MODEL NO.	GC0501HL-3X (RoHS)				
1	NOMINAL SIZE	50 mm	inch		
2	IMPEDANCE	8 Ω ± 15%	at. 1K Hz	1 V	
3	RESONANCE FO	210 Hz ± 42 Hz	FO Hz	1 V	
4	S.P.L. LEVEL	89 dB/w ± 3 dB	0.25 W 50 cm average at		
5	FREQ. RESPONSE	Fo Hz ~ 20K Hz	MAX 10 dB	300, 400, 500, 600 Hz	
6	INPUT POWER	Nominal Input 1 W	Handling Capacity 2 W		
7	OPERATION	Must be normal at program source 1 W			
8	BUZZ, RATTLE, ETC.	Must be normal at Sine Wave 2.83 V			
9	MAGNET	12.5 x 2.5 mm			
10	FLUX DENSITY	Gauss ± 10%	total flux max well within		
11	DISTORTION				
12	LOAD TEST	After test meet Item 7 and 8	White noise 1 W 24 Hours		
13	OPERATION TEMP.				
14	HEAT TEST	After test meet Item 7 and 8	65 ± 2° C 20-50 % R.H. 24 Hours		
15	HUMIDITY TEST	After test meet Item 7 and 8	40 ± 2° C 90-95 % R.H. 24 Hours		





$\phi 22 \pm 0.2$



TOLERANCE: $\pm 0.5\text{MM}$

MODEL NO. GC0501HL-3X

APPROVED	CHECKED	DRAWING