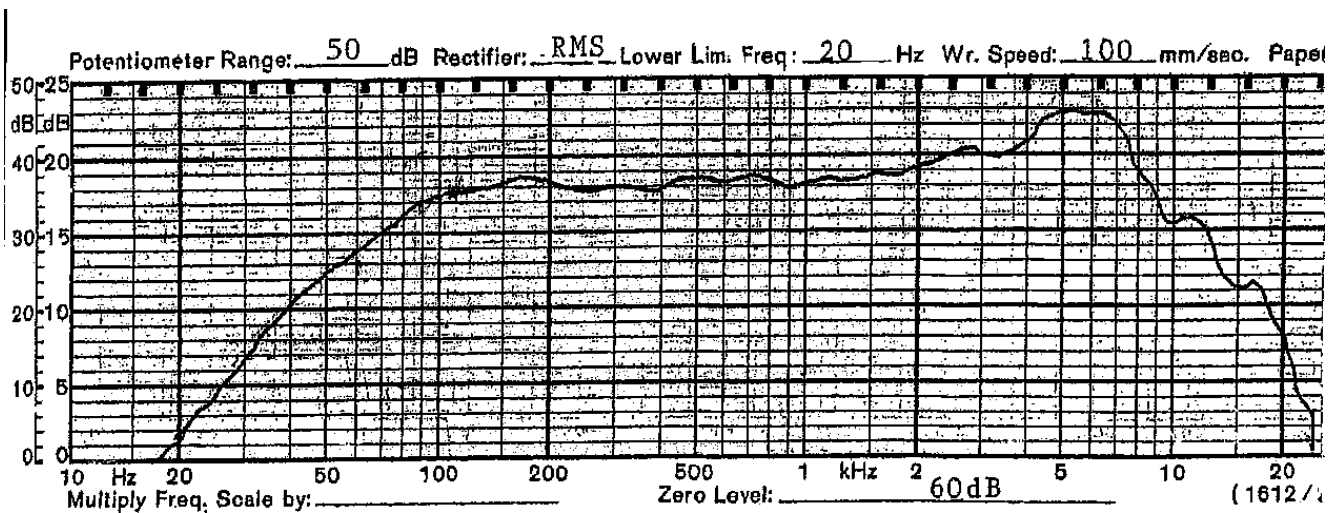


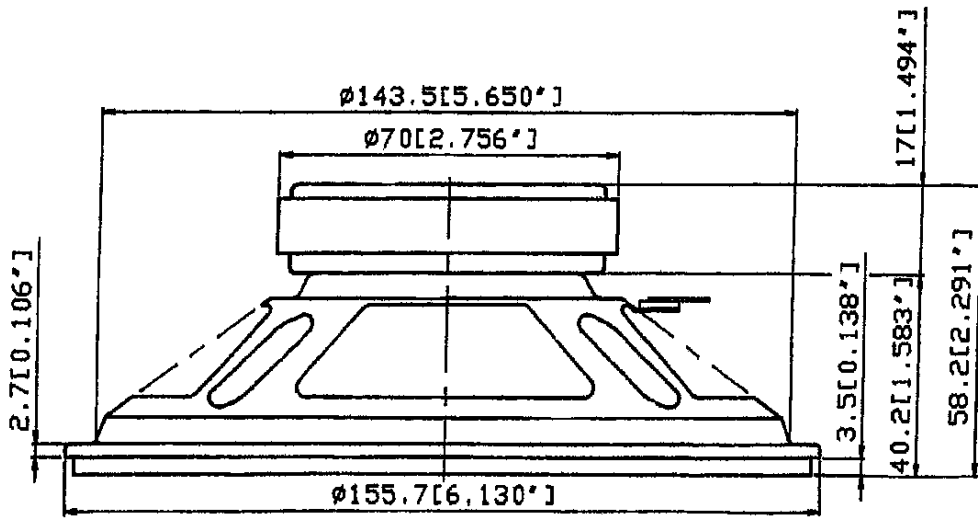
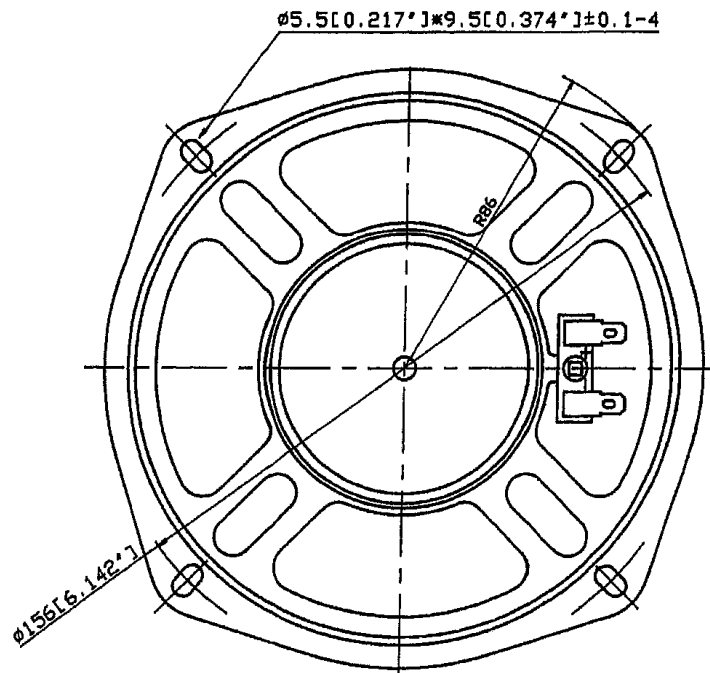
SHOGYO INTERNATIONAL CORP.

www.shogyo.com

SPEAKER SPECIFICATIONS

MODEL NO.	GF1603X (RoHS)				
1	NOMINAL SIZE	156 mm	6-1/2 inch		
2	IMPEDANCE	8 Ω ± 15%	at. 400 Hz	1 V	
3	RESONANCE FO	90 Hz ± 18 Hz	FO Hz	1 V	
4	S.P.L. LEVEL	96 dB/w ± 2 dB	1 W 50 cm average at		
5	FREQ. RESPONSE	Fo Hz ~ 14K Hz			
6	INPUT POWER	Nominal Input 15 W	Handling Capacity 20 W		
7	OPERATION	Must be normal at program source 15 W			
8	BUZZ, RATTLE, ETC.	Must be normal at Sine Wave 10 V			
9	MAGNET	70 x 32 x 10 mm			
10	FLUX DENSITY	Gauss ± 10% total flux max well within			
11	DISTORTION				
12	LOAD TEST	After test meet Item 7 and 8	White noise 15 W 24 Hours		
13	OPERATION TEMP.				
14	HEAT TEST	After test meet Item 7 and 8	70 ± 2° C 20-50 % R.H. 24 Hours		
15	HUMIDITY TEST	After test meet Item 7 and 8	40 ± 2° C 90-95 % R.H. 24 Hours		





TOLERANCE: ± 0.8 MM

MODEL NO. GF1603X

APPROVED	CHECKED	DRAWING