



SPECIFICATIONS

CONTACT RATING: 16 A, 250 V AC, 250 V AC, 277 V AC;
 16(6) A, 250 V AC, 250 V AC, 277 V AC
 ELECTRIC LIFE: 10,000 cycles
 CONTACT RESISTANCE: 30 mΩ max. (initial)
 INSULATION RESISTANCE: 1,000 MΩ min. 500VDC
 DIELECTRIC STRENGTH: 2,500 VAC/ 1 min.
 OPERATING TEMPERATURE: -40°C to +85°C

How do you build the switches you need!!



Switch Function	
T6013	SP on-none-on
T6013A	SP on-none-(on)
T6014	SP on-off-on
T6014A	SP (on)-off-(on)
T6014B	SP on-off-(on)
T6023	DP on-none-on
T6023A	DP on-none-(on)
T6024	DP on-off-on
T6024A	DP (on)-off-(on)
T6024B	DP on-off-(on)
T6043	4P on-none-on
T6043A	4P on-none-(on)
T6044	4P on-off-on
T6044A	4P (on)-off-(on)
T6044B	4P on-off-(on)

Locking	
/	NO Locking
A	in 3 position
D	out of center
G	keyway side

Actuator	
T1	Round
U1	Flatted

Bushing	
E	Standard

Terminal	
B	solder lug
D	quick connect
S	screw

Contact Material	
NON	No plated
Q	Silver plated

Agency approval	
/	none
16	16A UL
15	15A UL

Agency approval	
/	Standard
2P2	Two terminal

RoHS code	
H=	ROHS Compliant

INDEX

TOGGLE

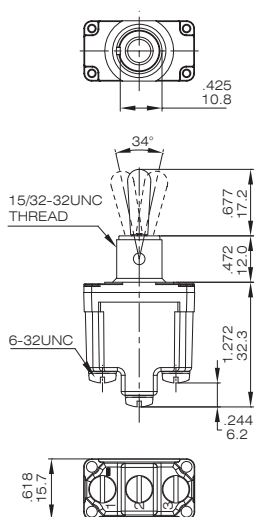
ROCKER

SLIDE

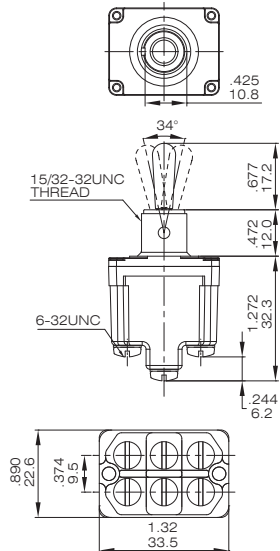
PUSH BUTTON / MICRO

DIP / ROTARY

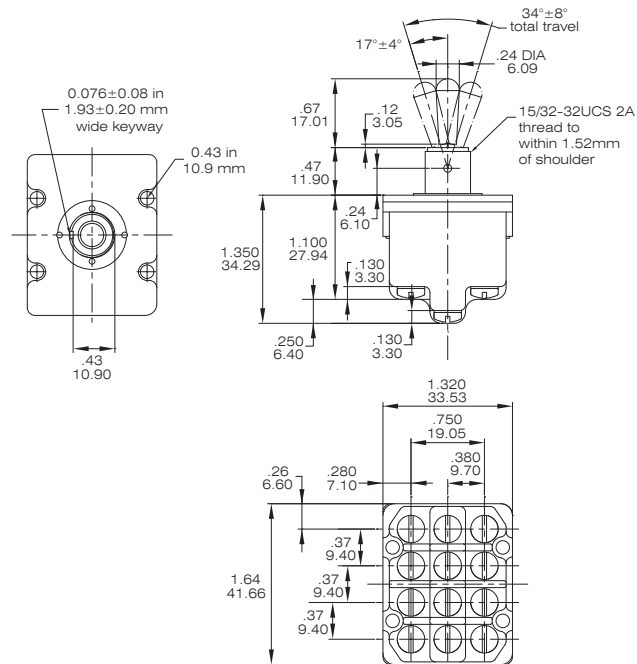
KEY / TACT



T601X-T1ES-X-H



T602X-T1ES-X-H



T604X-T1ES-X-H

