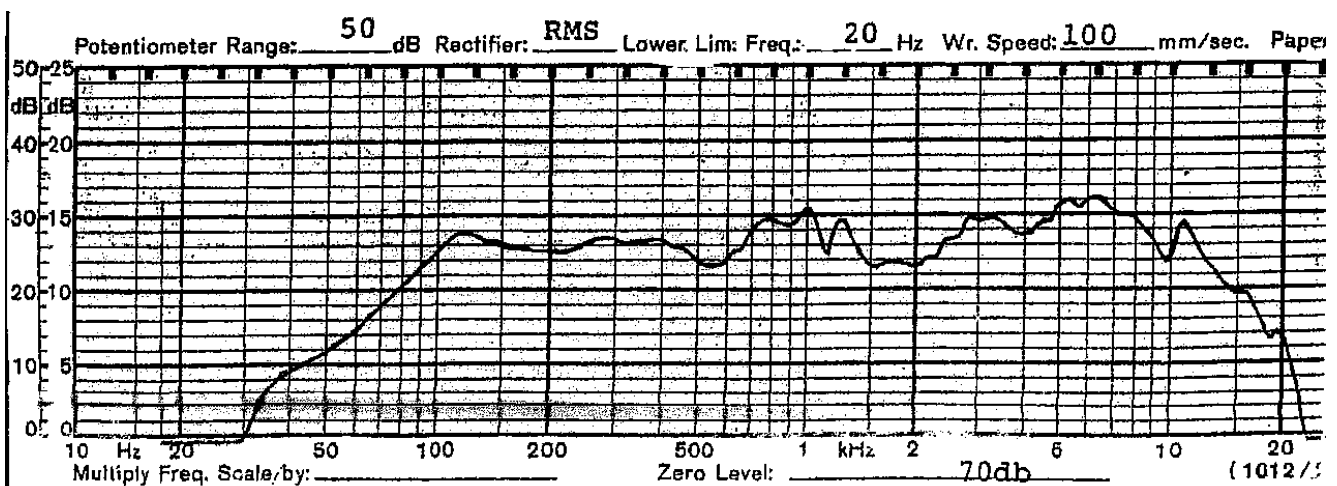


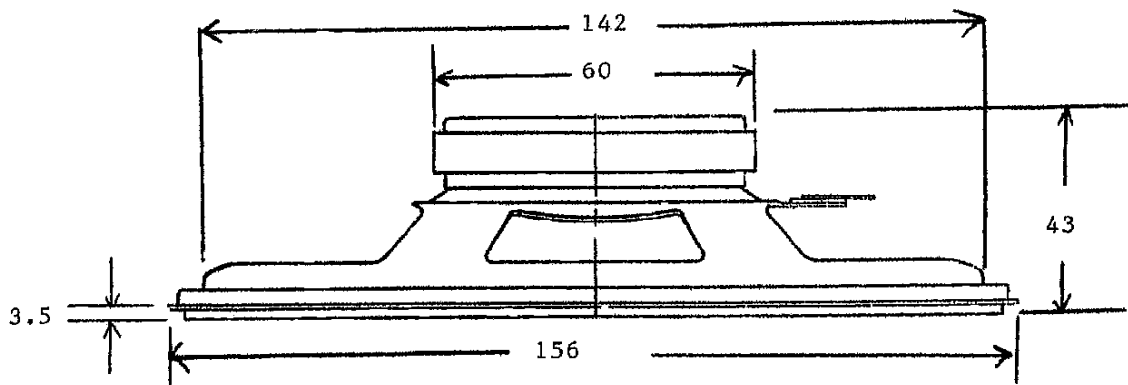
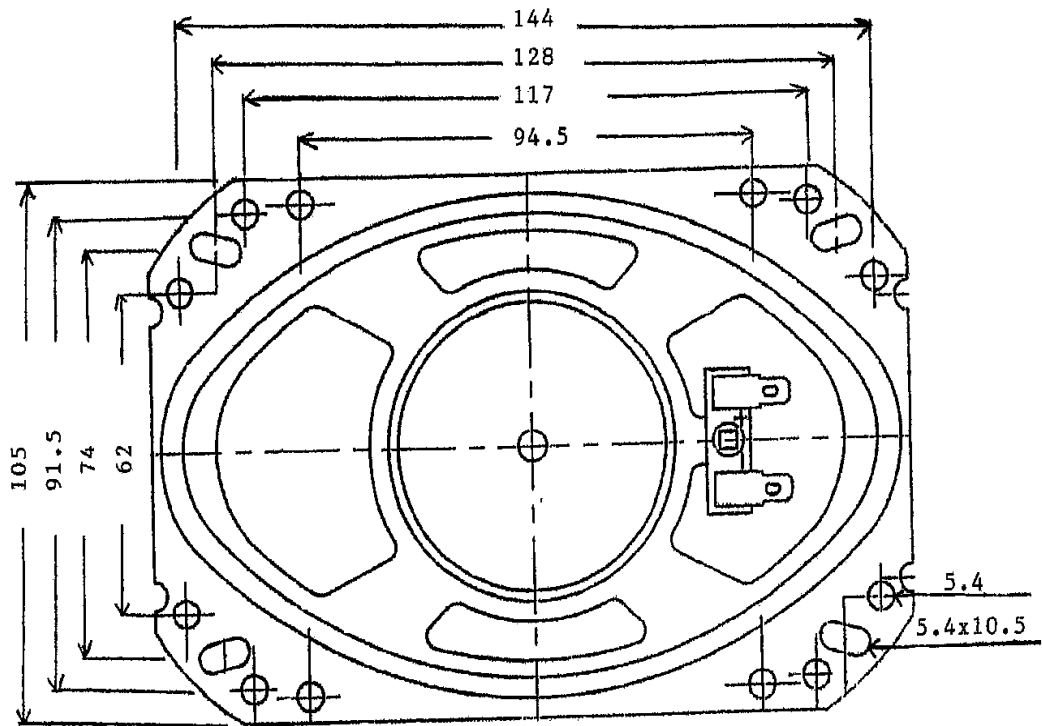
SHOGYO INTERNATIONAL CORP.

www.shogyo.com

SPEAKER SPECIFICATIONS

| | | | | | |
|-----------|-----------------------|---|--|-------------|--|
| MODEL NO. | GF1562X (RoHS) | | | | |
| 1 | NOMINAL SIZE | 156 x 105 mm | 4 x 6 | inch | |
| 2 | IMPEDANCE | 8 Ω ± 15% | at. 800 Hz | 1 V | |
| 3 | RESONANCE FO | 150 Hz ± 30 Hz | FO Hz | 1 V | |
| 4 | S.P. LEVEL | 96 dB/w ± 3 dB | 1 W 50 cm average at | | |
| 5 | FREQ. RESPONSE | Fo Hz ~ 18K Hz | | | |
| 6 | INPUT POWER | Nominal Input 6 W | Handling Capacity 10 W | | |
| 7 | OPERATION | Must be normal at program source 6 W | | | |
| 8 | BUZZ, RATTLE, ETC. | Must be normal at Sine Wave 6.92 V | | | |
| 9 | MAGNET | 60 x 32 x 8 mm | | | |
| 10 | FLUX DENSITY | Gauss ± 10% | total flux max well within | | |
| 11 | TOTAL WEIGHT | gr | oz | | |
| 12 | LOAD TEST | After test meets Item 7 and 8 | White noise 6 W 24 Hours | | |
| 13 | DISTORTION | | | | |
| 14 | HEAT TEST | After test meets Item 7 and 8 | 70 ± 2° C 20-50 % R.H. 24 Hours | | |
| 15 | HUMIDITY TEST | After test meet Item 7 and 8 | 40 ± 2° C 90-95 % R.H. 24 Hours | | |





TOLERANCE: ± 0.8 MM

MODEL NO. GF1562X

| APPROVED | CHECKED | DRAWING |
|----------|---------|---------|
| | | |