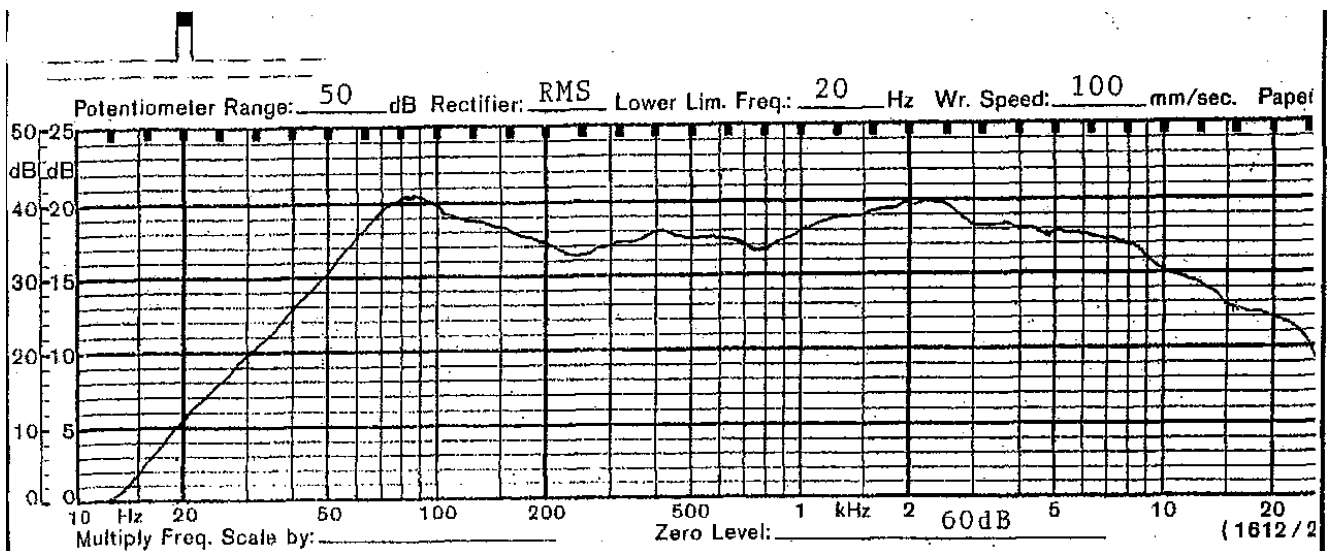


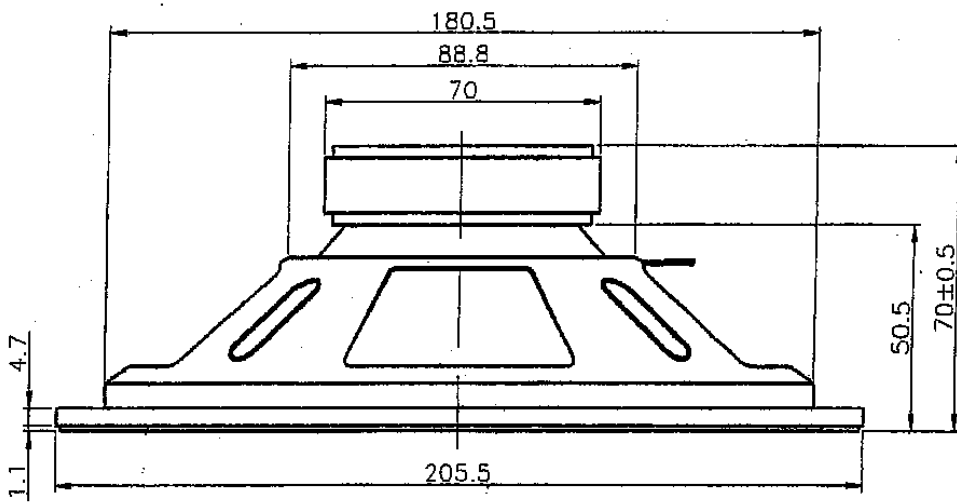
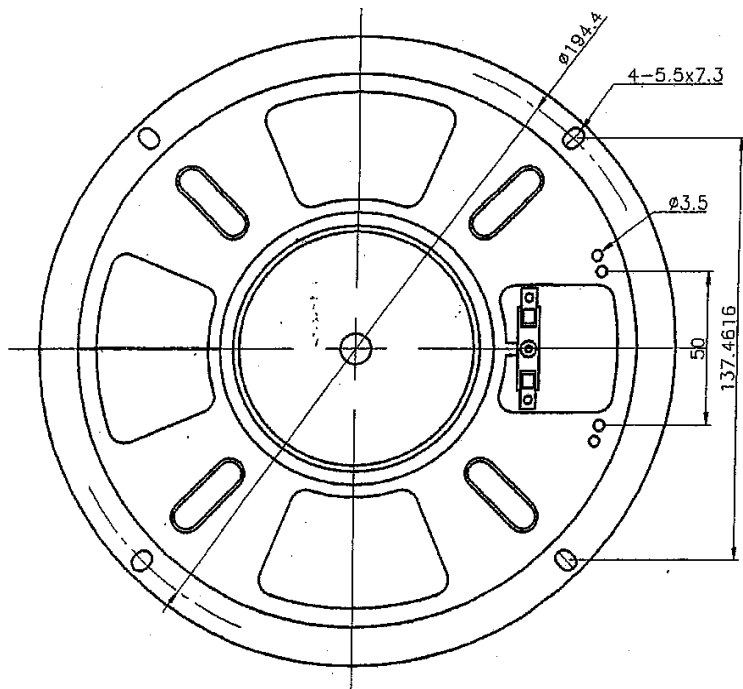
SHOGYO INTERNATIONAL CORP.

www.shogyo.com

SPEAKER SPECIFICATIONS

MODEL NO.	GF2001X (RoHS)		
1	NOMINAL SIZE	205 mm	8 inch
2	IMPEDANCE	$8 \Omega \pm 15\%$	at. 200 Hz 1 V
3	RESONANCE FO	$75 \text{ Hz} \pm 15 \text{ Hz}$	FO Hz 1 V
4	S.P. LEVEL	$94 \text{ dB/w} \pm 2 \text{ dB}$	1 W 50 cm average at 300, 400, 500, 600 Hz
5	FREQ. RESPONSE	Fo Hz ~ 20K Hz MAX 10 dB	
6	INPUT POWER	Nominal Input 10 W	Handling Capacity 20 W
7	OPERATION	Must be normal at program source 10 W	
8	BUZZ, RATTLE, ETC.	Must be normal at Sine Wave 8.9 V	
9	MAGNET	70 x 32 x 10 mm	
10	FLUX DENSITY	Gauss $\pm 10\%$	total flux max well within
11	TOTAL WEIGHT	gr	oz
12	LOAD TEST	After test meets Item 7 and 8	White noise 10 W 24 Hours
13	DISTORTION		
14	HEAT TEST	After test meets Item 7 and 8	$70 \pm 2^\circ \text{ C}$ 20-50 % R.H. 24 Hours
15	HUMIDITY TEST	After test meet Item 7 and 8	$40 \pm 2^\circ \text{ C}$ 90-95 % R.H. 24 Hours





MODEL NO. GF2001X

APPROVED	CHECKED	DRAWING