

SPECIFICATIONS SHEET

PRODUCT TYPE : PIEZO BUZZER

PRODUCT SERIES : DB-E118

DESCRIPTION : PZ BUZZER DUAL 12VDC PLT ABS SP RoHS

COLOR : BLACK

ELECTRICAL SPECIFICATIONS

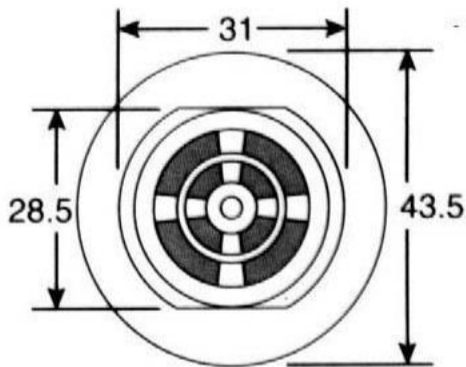
MODEL NO.		11D3120LFTA
OPERATING VOLTAGE RANGE (VDC)		4.0 ~ 16.0
RATED VOLTAGE (VDC)		12.0
* MAX. RATED CURRENT (mA)		25.0 / 20.0
* MIN. SOUND OUTPUT (dBA/ 30 cm)		95.0 / 90.0
* FREQUENCY (Hz)		2900 ± 500
TONE NATURE		DUAL
OPERATING TEMPERATURE (°C)		- 20 ~ + 60
TERMINAL		PLATE
HOUSING MATERIAL		ABS
WEIGHT (g)		35.0

* Value applying at rated voltage

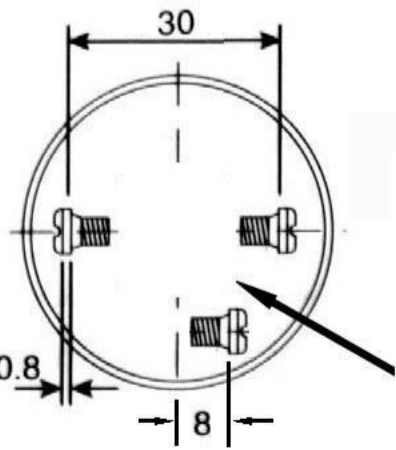
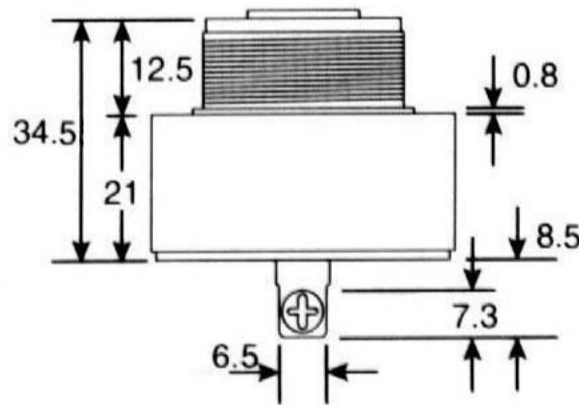
DIMENSIONS

UNIT : mm

TOP VIEW

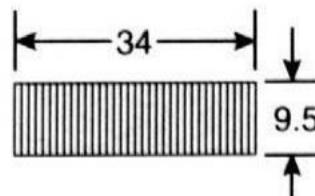


SIDE VIEW



BOTTOM VIEW

NUT



Modify :	Date :	By :

Approved By :
Date : 22-Apr.-2005

Prepared By :
Date : 22-Apr.-2005