

SPECIFICATIONS SHEET

PRODUCT TYPE : EXTERNAL DRIVE PIEZO TRANSDUCER

PRODUCT SERIES : DB-E1778

DESCRIPTION : PZ TRANSDUCER 10V L/W ABS RoHS SP

1) ADD 90mmLL " UL1571 , AWG#32 "

COLOR : BLACK

ELECTRICAL SPECIFICATIONS

MODEL NO.	177PZ13480LFLA
SOUND PRESSURE LEVEL	80.0 dBA min.(10V p-p Square Wave , 10 cm , 4800 Hz)
CAPACITANCE	15000 pF ± 30 % at 120 Hz
* MAX. INPUT VOLTAGE	30.0 V p-p
OPERATING TEMPERATURE	-20 ~ +60 °C
STORAGE TEMPERATURE	-30 ~ +70 °C
TERMINAL	LEADWIRE
HOUSING MATERIAL	ABS
* WEIGHT	1.0 g

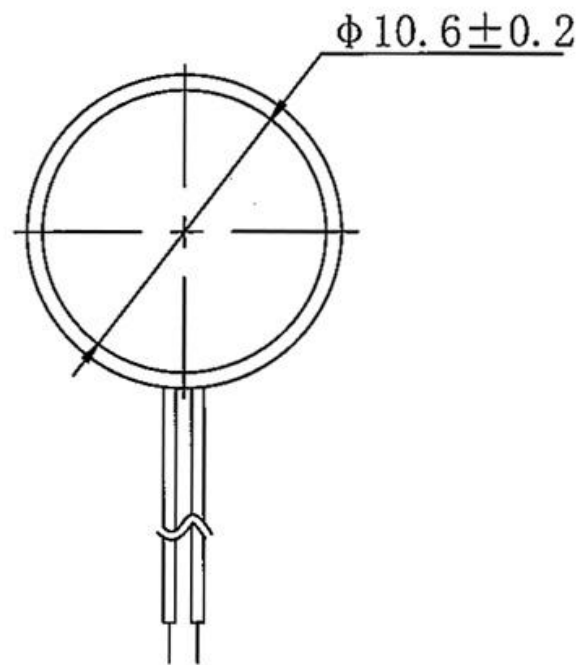
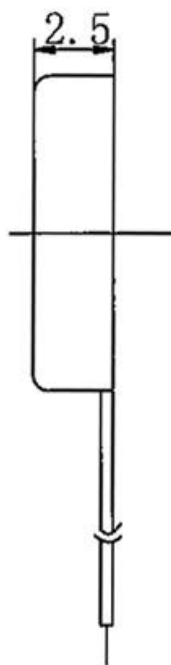
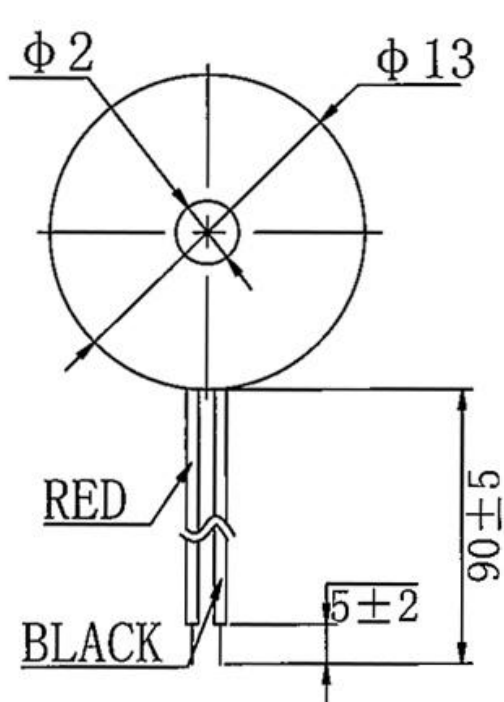
DIMENSIONS

UNIT : mm

TOP VIEW

SIDE VIEW

BOTTOM VIEW



Approved By :
Date : 18-Sep.-2013

Prepared By :
Date : 18-Sep.-2013

Modify :	Date :	By :
change the leadwire	18-Sep-13	Wai