

## Specifications Sheet

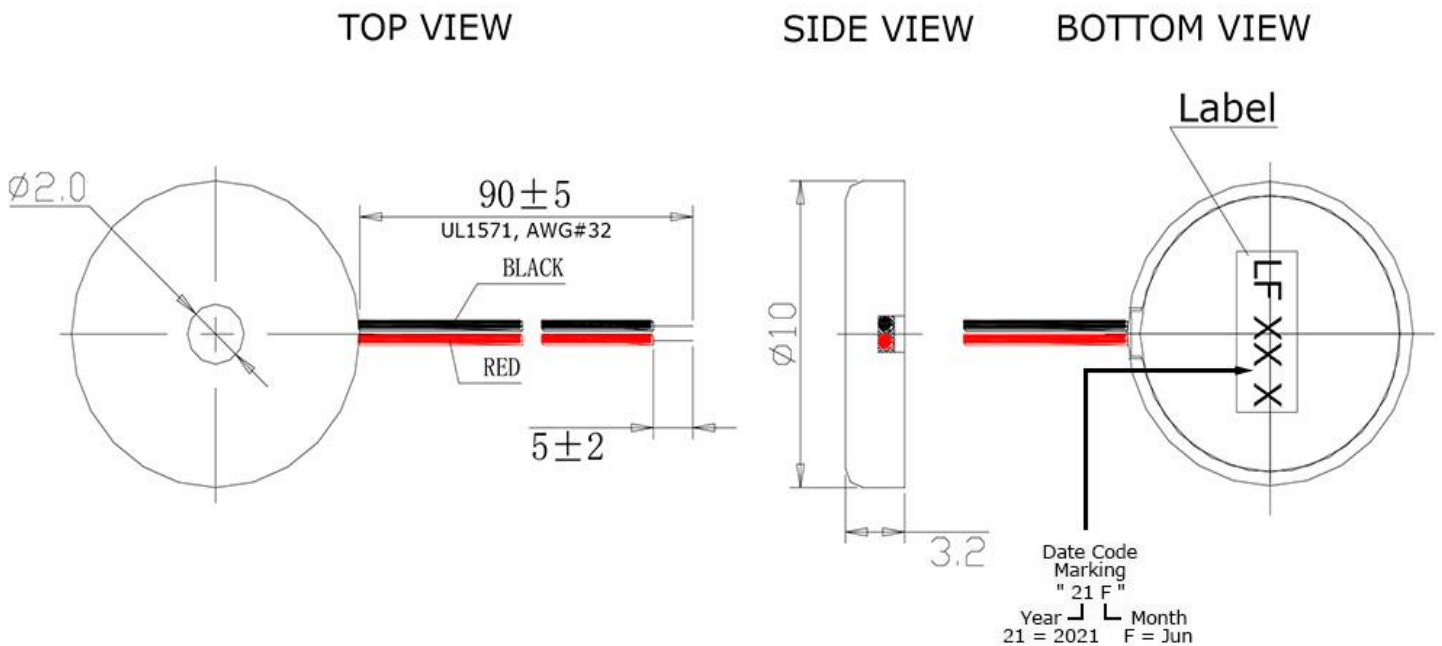
Product Type : External Drive Piezo Transducer  
 Product Series : DB-E1858  
 Description : PZ TRANSDUCER 10V L/W ABS RoHS  
 Color : Black

### Electrical Specifications

<b>Model No.</b>	<b>185PZ10320LFLA</b>
Sound Pressure Level	80.0 dBA Min. ( 10.0 V p-p Square Wave, 10.0 cm, 3200.0 Hz )
Capacitance	11000.0 pF ± 30.0 % at 120.0 Hz
Operating Voltage	1.0 ~ 30.0 V p-p
Rated Current	5.0 mA ( Max. )
Operating Temperature	- 20.0 ~ + 60.0 ° C
Storage Temperature	- 30.0 ~ + 70.0 ° C
Terminal	Leadwire ( UL1571, AWG#32 )
Housing Material	ABS
Weight	1.0 g

### Dimensions

Unit : mm  
 Tolerance : ± 0.5 mm



Approved By :  
 Date : 10 Jun 2021

Prepared By :  
 Date : 10 Jun 2021

Modify :	Date :	By :
1) Max. Input Voltage change to Operating Voltage. 2) Operating Temperature : - 20 ~ + 70 ° C change to - 20 ~ + 60 ° C. 3) Add " Storage Temperature " and " Rated Current " information. 4) Add " UL1571, AWG#32 " information. 5) Modify " Mechanical Draw ".	10 Jun 2021	Cheun