

SPECIFICATIONS SHEET

PRODUCT TYPE : EXTERNAL DRIVE PIEZO TRANSDUCER

PRODUCT SERIES : DB-E1868

DESCRIPTION : PZ TRANSDUCER 5V SMD PPS RoHS

TAPE & REEL PACKING

COLOR : BLACK

ELECTRICAL SPECIFICATIONS

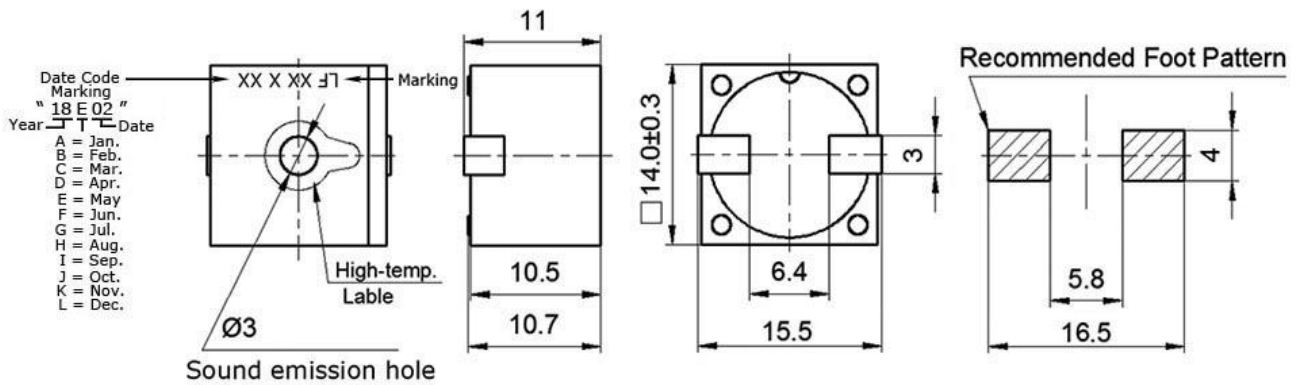
MODEL NO.	<i>186PZ14330LFRMP</i>
SOUND PRESSURE LEVEL	80.0 dBA min. (5.0 V p-p Square Wave, 10.0 cm, 3300 Hz)
CAPACITANCE	15000.0 pF ± 30 % at 120.0 Hz
* MAX. INPUT VOLTAGE	30.0 V p-p
* OPERATING TEMPERATURE	- 20.0 ~ + 70.0 °C
STORAGE TEMPERATURE	- 30.0 ~ + 80.0 °C
TERMINAL	SMD
HOUSING MATERIAL	PPS
* WEIGHT	g 2.3

DIMENSIONS

UNIT : mm

Tolerance : ± 0.5 mm

TOP VIEW SIDE VIEW BOTOM VIEW



Approved By :
Date : 02 May 2018

Prepared By :
Date : 02 May 2018

Modify :	Date :	By :
1) Modify Date Code " LF Year Month " change to " LF YEAR MONTH DATE " 2) Modify Mechanical Draw. 3) Add Recommend Foot Pattern. 4) Add Storage Temp. Information.	27-Jun-17	Nelson
1) Modify PCB. 2) Modify " Mechanical Draw "	9-Apr-18	Nelson
1) 14.8 mm Diameter change to 15.5 mm. 2) 15.8 mm Recommended Foot Pattern change to 16.5 mm. 3) Modify " Mechanical Draw ".	2-May-18	Nelson