

## SPECIFICATIONS SHEET

**PRODUCT TYPE : EXTERNAL DRIVE PIEZO TRANSDUCER**

**PRODUCT SERIES : DB-E1878**

**DESCRIPTION : PZ TRANSDUCER 12V SMD PPS  
PCB COLOUR BLACK SP RoHS**

**COLOR : BLACK**

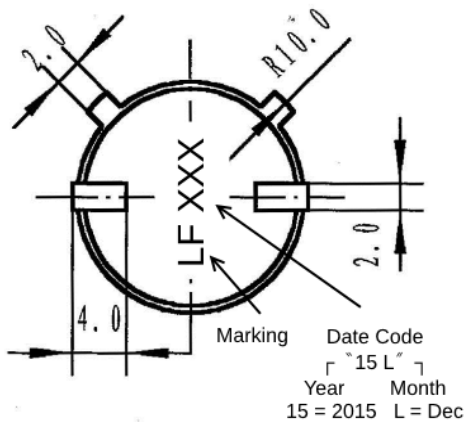
### ELECTRICAL SPECIFICATIONS

<b>MODEL NO.</b>	<b>187PZ17400LFMP</b>
<b>SOUND PRESSURE LEVEL</b>	90.0 dBA min. ( 12.0 V p-p Square Wave, 10.0 cm, 4000.0 Hz )
<b>CAPACITANCE</b>	15000.0 pF ± 30.0 % at 120.0 Hz
* <b>MAX. INPUT VOLTAGE</b>	25.0 V p-p
<b>OPERATING TEMPERATURE</b>	-40.0 ~ +85.0 °C
<b>STORAGE TEMPERATURE</b>	-30.0 ~ +85.0 °C
<b>TERMINAL</b>	SMD
<b>HOUSING MATERIAL</b>	PPS
* <b>WEIGHT</b>	2.0 g

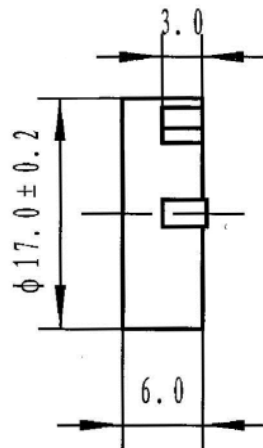
### DIMENSIONS

UNIT : mm

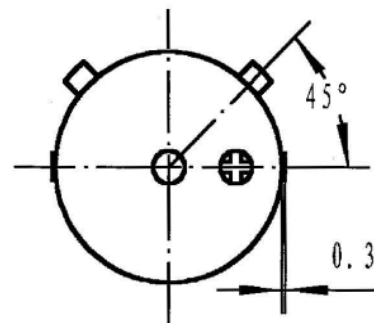
**BOTTOM VIEW**



**SIDE VIEW**



**TOP VIEW**



Approved By :  
Date : 12 May 2017

Prepared By :  
Date : 12 May 2017

Modify :	Date :	By :
Change Marking to Bottom	9-Dec-15	Kembai
Operating Temperature -20 ~ +75 °C change to -40 ~ +85 °C	12-May-17	Nelson