

## SPECIFICATIONS SHEET

**PRODUCT TYPE** : PIEZO BUZZER

**PRODUCT SERIES** : DB-E118

**DESCRIPTION** : PZ BUZZER N. PULSE 12VDC PLT ABS RoHS

**COLOR** : BLACK

### ELECTRICAL SPECIFICATIONS

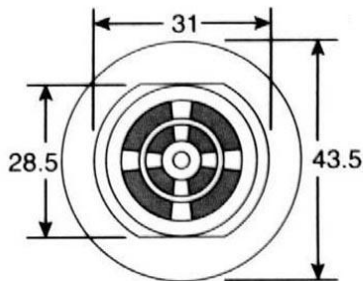
MODEL NO.	<i>11PN3120LFTA</i>	
OPERATING VOLTAGE RANGE (VDC)	4.0 ~ 16.0	
RATED VOLTAGE (VDC)	12.0	
* MAX. RATED CURRENT (mA)	20.0	
* MIN. SOUND OUTPUT (dBA/ 30 cm)	90.0	
* FREQUENCY (Hz)	2900 ± 500	
TO NE NATURE	NORMAL PULSE	
OPERATING TEMPERATURE (°C)	- 20 ~ + 60	
TERMINAL	PLATE	
HOUSING MATERIAL	ABS	
WEIGHT (g)	35.0	

\* Value applying at rated voltage

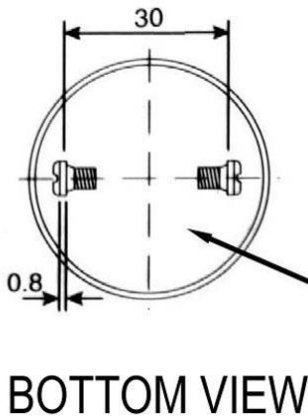
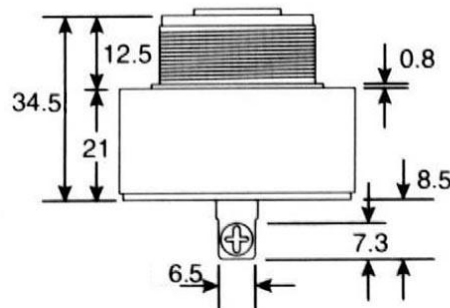
### DIMENSIONS

UNIT : mm

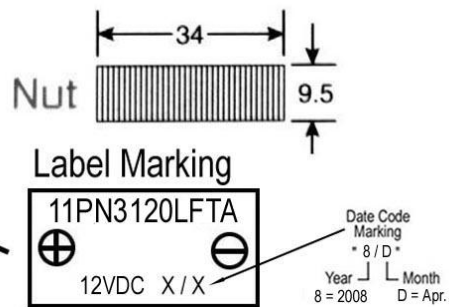
TOP VIEW



SIDE VIEW



BOTTOM VIEW



Approved By :  
Date : 10-Apr.-2008

Prepared By :  
Date : 10-Apr.-2008

Modify :	Date :	By :