

SPECIFICATIONS SHEET

PRODUCT TYPE : PIEZO BUZZER

PRODUCT SERIES : DB-E2238

DESCRIPTION : PZ BUZZER SINGLE 12VDC PIN PBT RoHS

COLOR : BLACK

ELECTRICAL SPECIFICATIONS

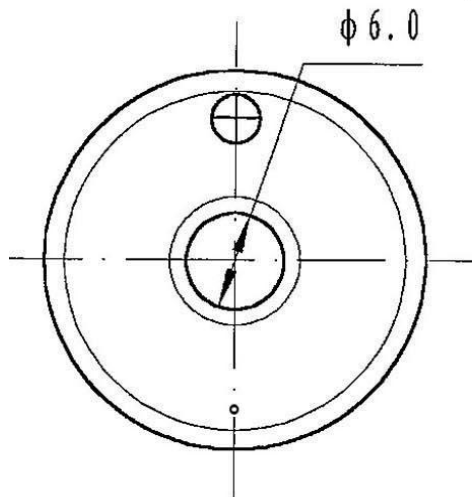
MODEL NO.	223S4120LFPN	
OPERATING VOLTAGE RANGE (VDC)	3.0 ~ 20.0	
RATED VOLTAGE (VDC)	12.0	
* MAX. RATED CURRENT (mA)	12.0	
* MIN. SOUND OUTPUT (dBA/ 10 cm)	100.0	
* FREQUENCY (Hz)	3700 ± 500	
STONE NATURE	SINGLE	
OPERATING TEMPERATURE (°C)	- 30.0 ~ + 80.0	
STORAGE TEMPERATURE (°C)	- 40.0 ~ + 90.0	
TERMINAL	PIN	
HOUSING MATERIAL	PBT	
WEIGHT (g)	5.4	

* Value applying at rated voltage

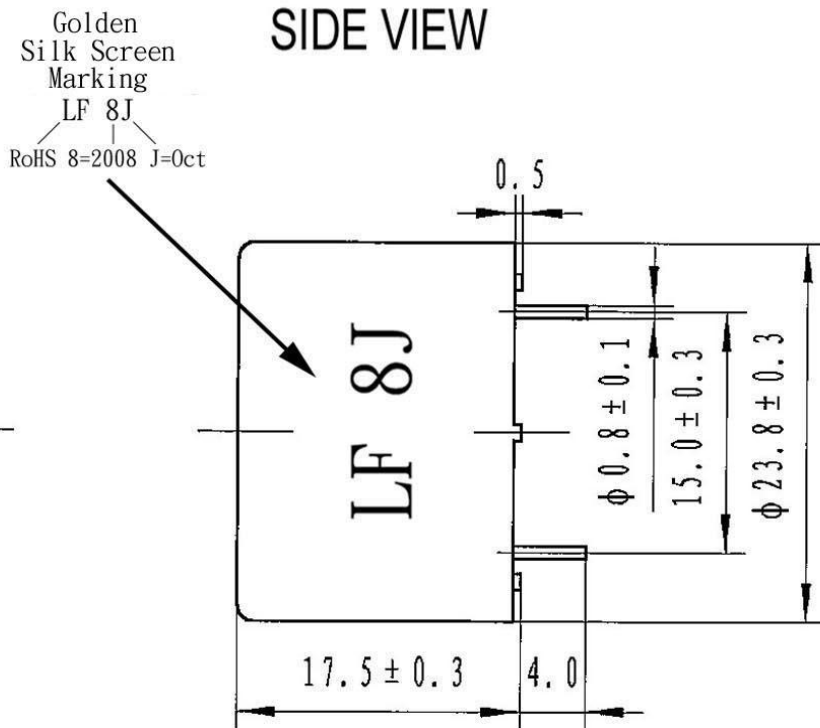
DIMENSIONS

UNIT : mm Tolerance : ± 0.5 mm

TOP VIEW



SIDE VIEW



Modify :	Date :	By :
Draw	24-Oct.-08	Wai
Operating voltage range 3 ~ 15 VDC change to 3 ~ 20 VDC	31-Mar.-16	Martin
Modify Draw add hole on top	18-Aug.-16	Chris

Approved By :
Date : 18-Aug.-2016

Prepared By :
Date : 18-Aug.-2016