



SPECIFICATIONS SHEET

PRODUCT TYPE : PIEZO BUZZER

PRODUCT SERIES : DB-E2258

DESCRIPTION : PZ BUZZER SINGLE 9VDC PBT RoHS

SP with built-in oscillating circuit

COLOR : BLACK

ELECTRICAL SPECIFICATIONS

MODEL NO.		225S3090LFPH
OPERATING VOLTAGE RANGE (VDC)		3.0 ~ 20.0
RATED VOLTAGE (VDC)		9.0
* MAX. RATED CURRENT (mA)		12.0
* MIN. SOUND OUTPUT (dBA/ 30 cm)		100.0
* FREQUENCY (Hz)		3200 ± 500
TONE NATURE		SINGLE
OPERATING TEMPERATURE (°C)		- 30 ~ + 85
TERMINAL		PIN
HOUSING MATERIAL		PBT
WEIGHT (g)		5.4

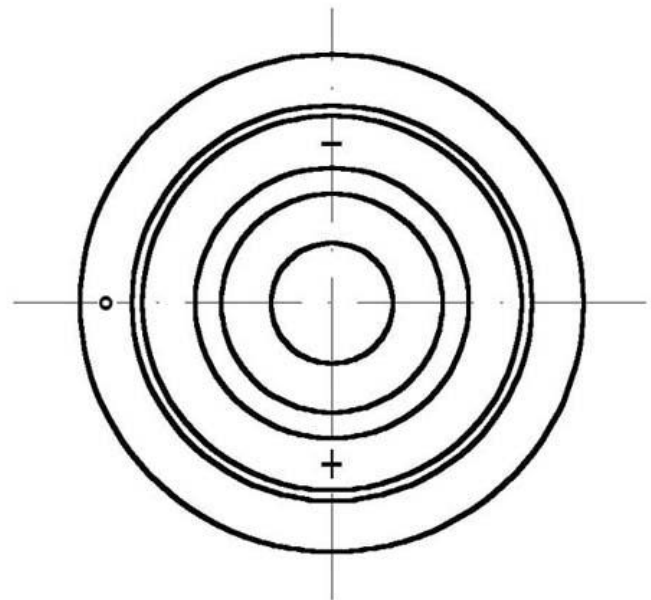
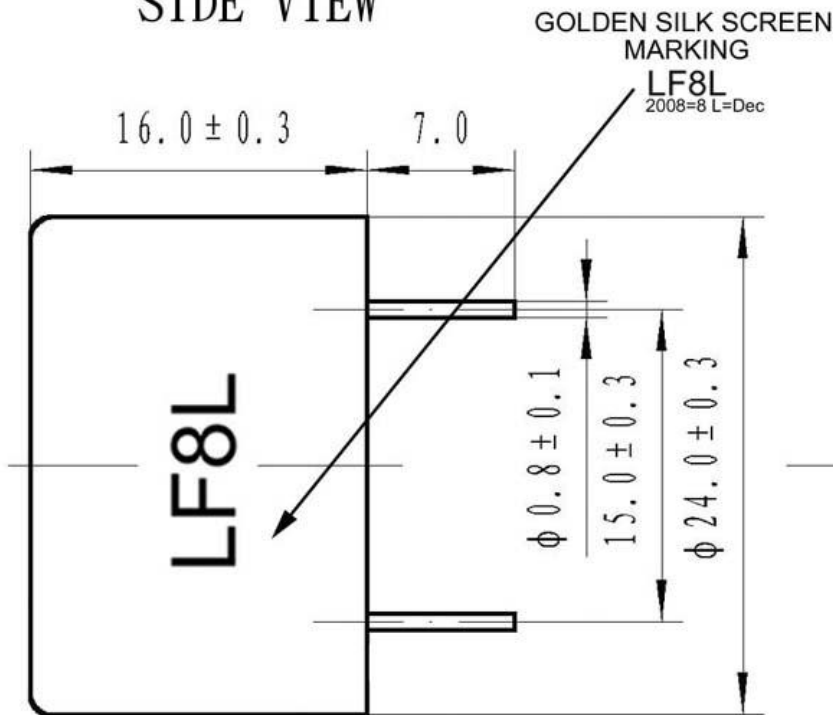
* Value applying at rated voltage

DIMENSIONS

UNIT : mm

SIDE VIEW

TOP VIEW



Approved By : 
Date : 6-Feb-2009

Prepared By : 
Date : 6-Feb-2009

Modify :	Date :	By :
OPERATING TEMPERATURE	6-Feb-09	Wai