

## SPECIFICATIONS SHEET

**PRODUCT TYPE : PIEZO BUZZER**

**PRODUCT SERIES : DB-E238**

**DESCRIPTION : PZ BUZZER SINGLE 12VDC PIN NORYL  
LEAD FREE MATERIAL**

**COLOR : BLACK**

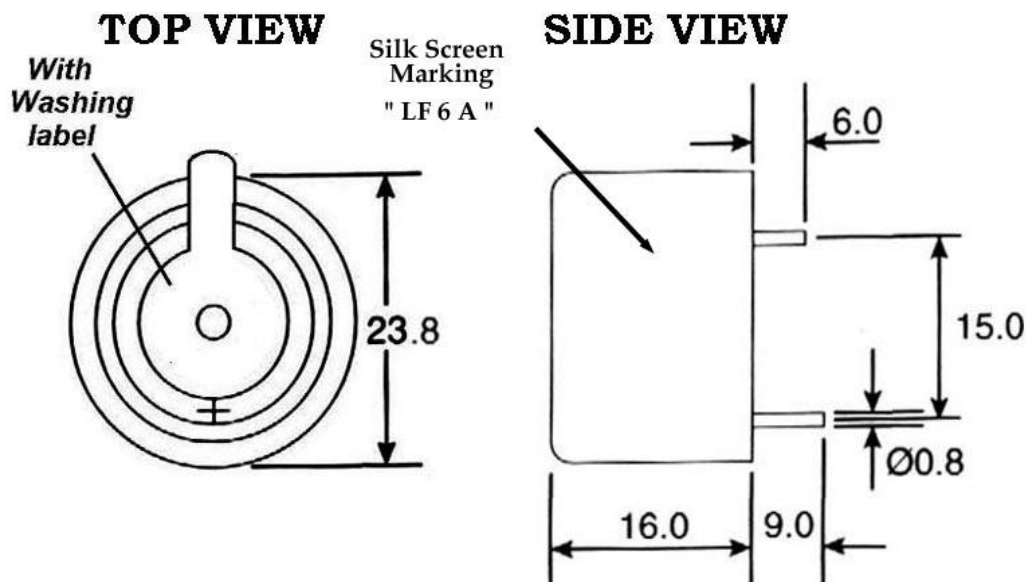
### ELECTRICAL SPECIFICATIONS

<b>MODEL NO.</b>		<b>23S3120ANLFPN</b>
OPERATING VOLTAGE RANGE	( VDC )	3.0 ~ 20.0
RATED VOLTAGE	( VDC )	12.0
* MAX. RATED CURRENT	( mA )	8.0
* MIN. SOUND OUTPUT	( dBA/ 30 cm )	85.0
* FREQUENCY	( Hz )	2900 ± 500
TONE NATURE		SINGLE
OPERATING TEMPERATURE	( °C )	- 20 ~ + 85
TERMINAL		PIN
HOUSING MATERIAL		NORYL
WEIGHT	( g )	6.0

\* Value applying at rated voltage

### DIMENSIONS

UNIT : mm



Approved By :  
Date : 28-Dec.-2005

Prepared By :  
Date : 28-Dec.-2005

Modify :	Date :	By :