

Specifications Sheet

Product Type : Piezo Buzzer

Product Series : DB-E268

Description : PZ BUZZER SINGLE 12VDC PBT SP

1)17.5PP 2) With Washing Label 3) RoHS

Color : Black

Electrical Specifications

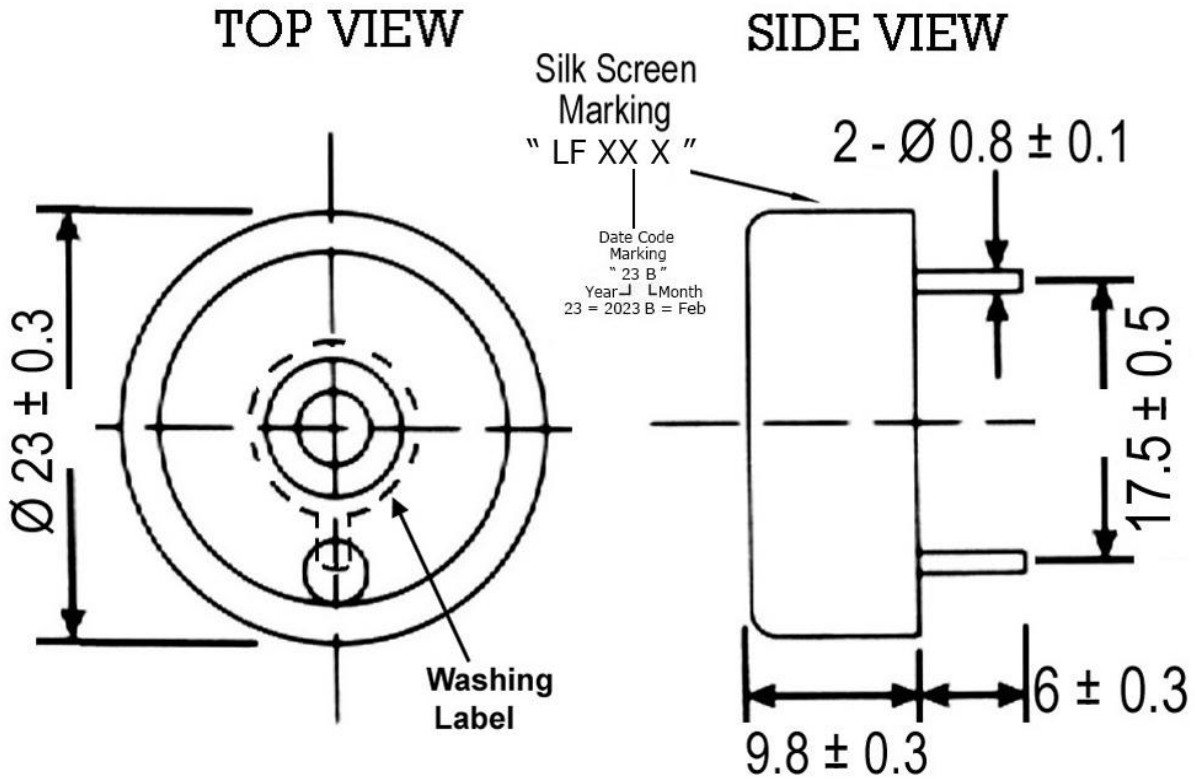
Model No.		26S4120HLFP175H
Operating Voltage	(VDC)	1.5 ~ 28.0
Rated Voltage	(VDC)	12.0
* Max. Rated Current	(mA)	10.0
* Min. Sound Output	(dBA / 30.0 cm)	85.0
Frequency	(Hz)	3500.0 ± 500.0
Tone Nature		Single
Operating Temperature	(° C)	-20.0 ~ +70.0
Storage Temperature	(° C)	-40.0 ~ +85.0
Terminal		Pin
Housing Material		PBT
Weight	(g)	4.0

* Value Applying At Rate Voltage

Dimensions

Unit : mm

Tolerance : ± 0.5 mm



Approved By :
Date : 15 Feb 2023

Prepared By :
Date : 15 Feb 2023

Modify :	Date :	By :