

## SPECIFICATIONS SHEET

**PRODUCT TYPE : PIEZO BUZZER**

**PRODUCT SERIES : DB-E328**

**DESCRIPTION : PZ BUZZER SINGLE 12VDC PIN NORYL**

**SS"32S4120LF " &"+" &DATE CODE "**

**RoHs COMPLIANT**

**COLOR : BLACK**

### ELECTRICAL SPECIFICATIONS

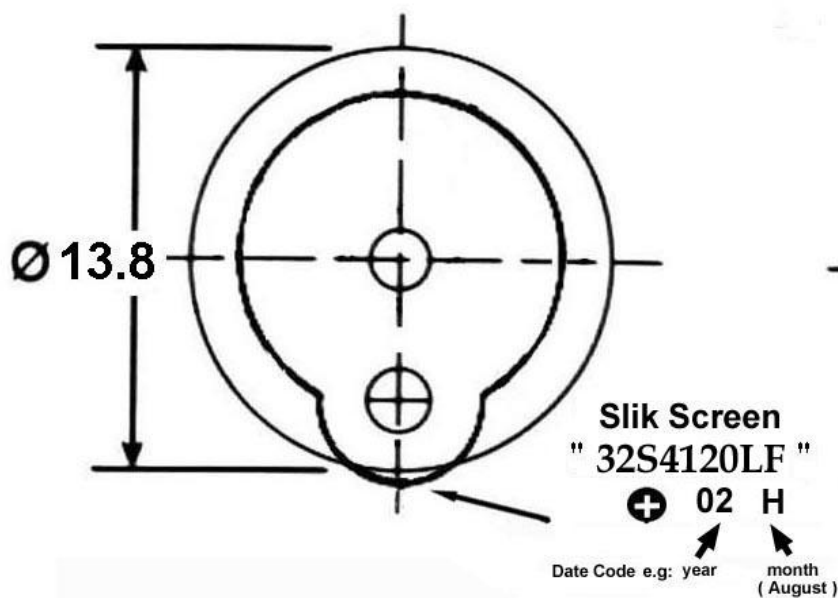
MODEL NO.		32S4120LFPN
OPERATING VOLTAGE RANGE (VDC)		3 ~ 16
RATED VOLTAGE (VDC)		12
* MAX. RATED CURRENT (mA)		7
* MIN. SOUND OUTPUT (dBA/ 10 cm)		80
* FREQUENCY (Hz)		4000 ± 500
TONE NATURE		SINGLE
OPERATING TEMPERATURE (°C)		- 20 ~ +60
TERMINAL		PIN
HOUSING MATERIAL		NORYL
WEIGHT (g)		1

\* Value applying at rated voltage

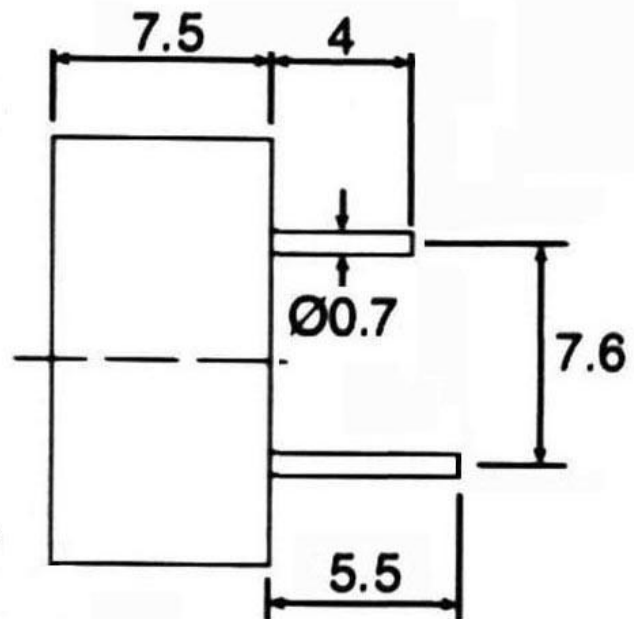
### DIMENSIONS

UNIT : mm

#### TOP VIEW



#### SIDE VIEW



Modify :	Date :	By :

Approved By :  
Date : 31-Jul-2012

Prepared By :  
Date : 31-Jul-2012