

Specifications Sheet

Product Type : Piezo Buzzer
 Product Series : DB-E328C
 Description : PZ BUZZER SINGLE 5/12VDC PIN PPO RoHS SP
MUST FOLLOW POLARITY INSTRUCTION
 Color : Black

Electrical Specifications

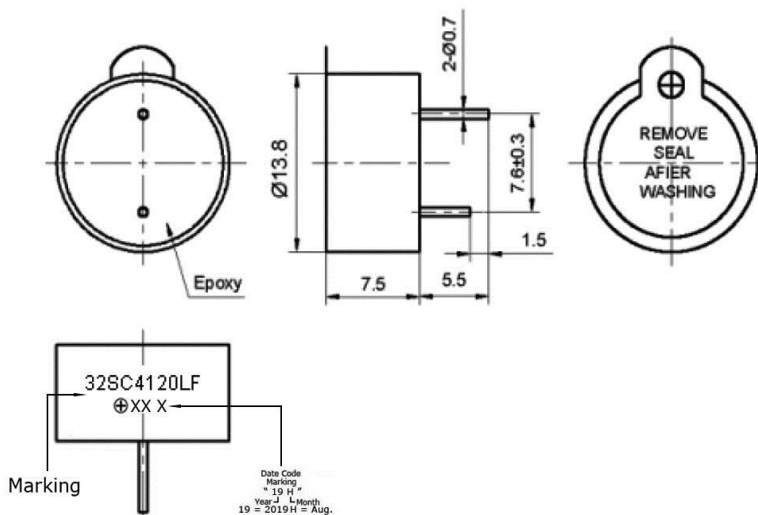
Model No.	32SC4120LFPP	
Operating Voltage (VDC)	3.0 ~ 16.0	
Rated Voltage (VDC)	5.0 / 12.0	
* Max. Rated Current (mA)	5.0 / 12.0	
* Min. Sound Output at 5.0 VDC (dBA / 10.0 cm)	80.0	
* Min. Sound Output at 12.0 VDC (dBA / 10.0 cm)	90.0	
Frequency (Hz)	4000.0 ± 500.0	
Tone Nature	Single	
Operating Temperature (°C)	-40.0 ~ +85.0	
Storage Temperature (°C)	-40.0 ~ +90.0	
Terminal	Pin	
Housing Material	PPO (SE1GFN-701) (Flame Rating : V-1)	
Weight (g)	0.96	

* Value Applying At Rate Voltage

Dimensions

Unit : mm Tolerance : ± 0.5 mm

BOTTOM VIEW SIDE VIEW TOP VIEW



SIDE VIEW

Modify :	Date :	By :
Operating and Storage Temp. Change to - 40 ~ + 85 °C	03 May 2019	Joey
1) Add " Storage Temperature " information. 2) Housing Material add " (SE1GFN-701) (Flame Rating : V-1) " information. 3) Weight : 0.8 g change tp 0.96 g. 4) Modify " Mechanical Draw ".	29 Aug 2019	Nelson

Approved By :
Date : 29 Aug 2019

Prepared By :
Date : 29 Aug 2019