

SPECIFICATIONS SHEET

PRODUCT TYPE : PIEZO BUZZER

PRODUCT SERIES : DB-E38

DESCRIPTION : PZ BUZZER DUAL 12VDC L/W FR ABS RoHS

COLOR : WHITE

ELECTRICAL SPECIFICATIONS

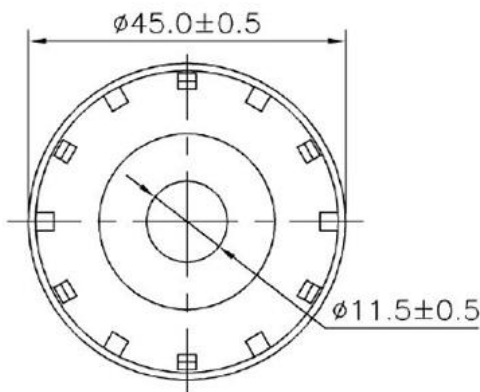
MODEL NO.		3D3120FLB
OPERATING VOLTAGE RANGE	(VDC)	1.5 ~ 15.0
RATED VOLTAGE	(VDC)	12.0
* MAX. RATED CURRENT	(mA)	30.0
* MIN. SOUND OUTPUT	(dBA/ 30 cm)	100.0 / 95.0
* FREQUENCY	(Hz)	2900 ± 500
TO NE NATURE		DUAL
OPERATING TEMPERATURE	(°C)	- 20.0 ~ + 70.0
STORAGE TEMPERATURE	(°C)	- 30.0 ~ + 80.0
TERMINAL		LEADWIRE (UL1007 , AWG#26)
HOUSING MATERIAL		FLAME RETARDANT ABS
WEIGHT	(g)	28.0

* Value applying at rated voltage

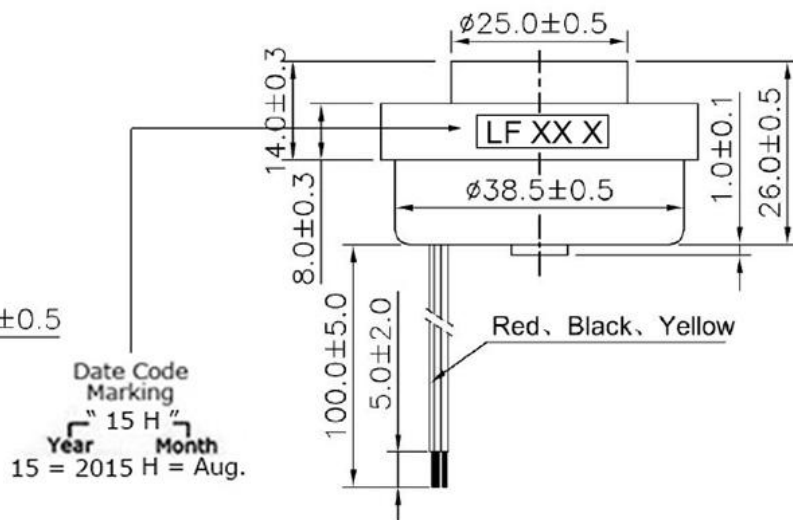
DIMENSIONS

UNIT : mm Tolerance : ± 0.5 mm

TOP VIEW



SIDE VIEW



Date Code Marking
 " 15 H "
 Year Month
 15 = 2015 H = Aug.

Approved By :
 Date : 14-Aug-2014

Prepared By :
 Date : 14-Aug-2014

Modify :	Date :	By :