

Specifications Sheet

Product Type : Piezo Buzzer

Product Series : DB-E38

Description : PZ BUZZER SINGLE 12VDC PIN FR ABS RoHS

Color : White

Electrical Specifications

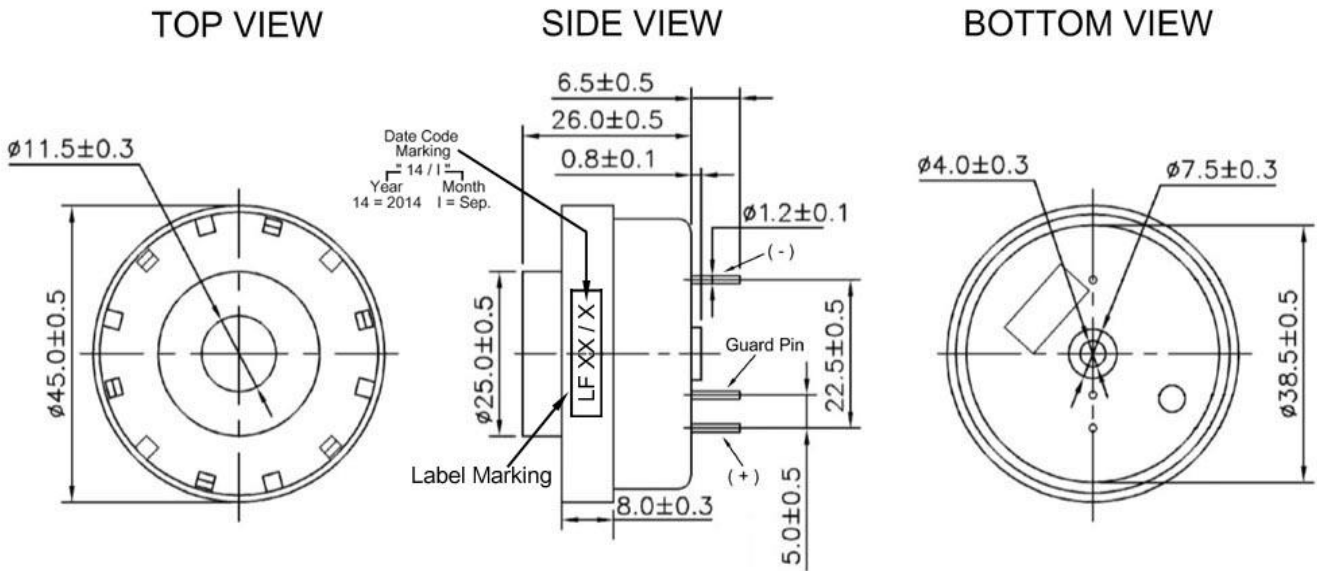
Model No.		3S3120LFPB
Operating Voltage Range (VDC)		3.0 ~ 18.0
Rated Voltage (VDC)		12.0
* Max. Rated Current (mA)		35.0
* Min. Sound Output (dBA / 30.0 cm)		105.0
* Frequency (Hz)		2900.0 ± 500.0
Tone Nature		Single
Operating Temperature (°C)		- 20.0 ~ + 70.0
Storage Temperature (°C)		- 30.0 ~ + 80.0
Terminal		Pins
Housing Material		Flame Retardant ABS
Weight (g)		28.0

* Value applying at rated voltage

Dimensions

Unit : mm

Tolerance : ± 0.5 mm



Modify :	Date :	By :
1) Operating Voltage Range : 1 ~ 13 VDC change to 3 ~ 18 VDC. 2) Operating Temperature : - 20 ~ + 60 °C change to - 20 ~ + 70 °C. 3) Storage Temperature : - 30 ~ + 70 °C change to - 30 ~ + 80 °C.	12 August 2022	Brian

Approved By :
Date : 12 August 2022

Prepared By :
Date : 12 August 2022