

## SPECIFICATIONS SHEET

**PRODUCT TYPE : PIEZO BUZZER**

**PRODUCT SERIES : DB-E78**

**DESCRIPTION : PZ BUZZER SINGLE 12VDC L/W ABS**

**1) RoHS**

**COLOR : BLACK**

### ELECTRICAL SPECIFICATIONS

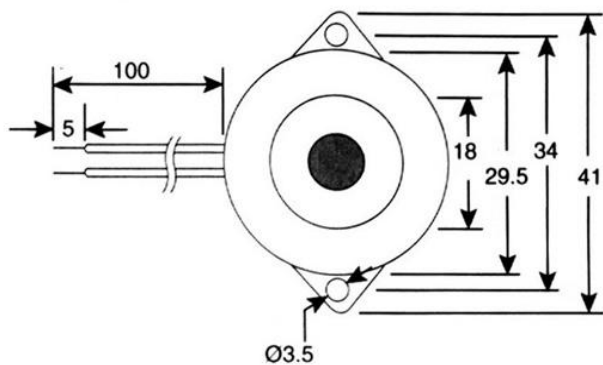
<b>MODEL NO.</b>	<b>7S3120LFLA</b>
<b>OPERATING VOLTAGE RANGE</b> ( VDC )	1.5 ~ 16
<b>RATED VOLTAGE</b> ( VDC )	12
* <b>MAX. RATED CURRENT</b> ( mA )	15
* <b>MIN. SOUND OUTPUT</b> ( dBA/ 30 cm )	95
* <b>FREQUENCY</b> ( Hz )	3200 ± 500
<b>TONE NATURE</b>	SINGLE
<b>OPERATING TEMPERATURE</b> ( °C )	- 20 ~ +60
<b>TERMINAL</b>	LEADWIRE
<b>HOUSING MATERIAL</b>	ABS
<b>WEIGHT</b> ( g )	15

\* Value applying at rated voltage

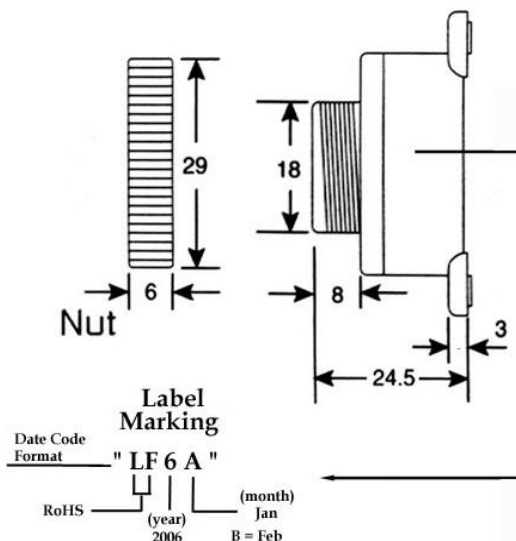
### DIMENSIONS

UNIT : mm

#### TOP VIEW



#### SIDE VIEW



Approved By :  
Date : 17-Mar-2006

Prepared By :  
Date : 17-Mar-2006

Modify :	Date :	By :