

SPECIFICATIONS SHEET

PRODUCT TYPE : PIEZO BUZZER

PRODUCT SERIES : DB-E1528

**DESCRIPTION : PZ BUZZER SINGLE 12VDC L/W ABS
LEAD FREE MATERIAL (RoHS)**

COLOR : BLACK

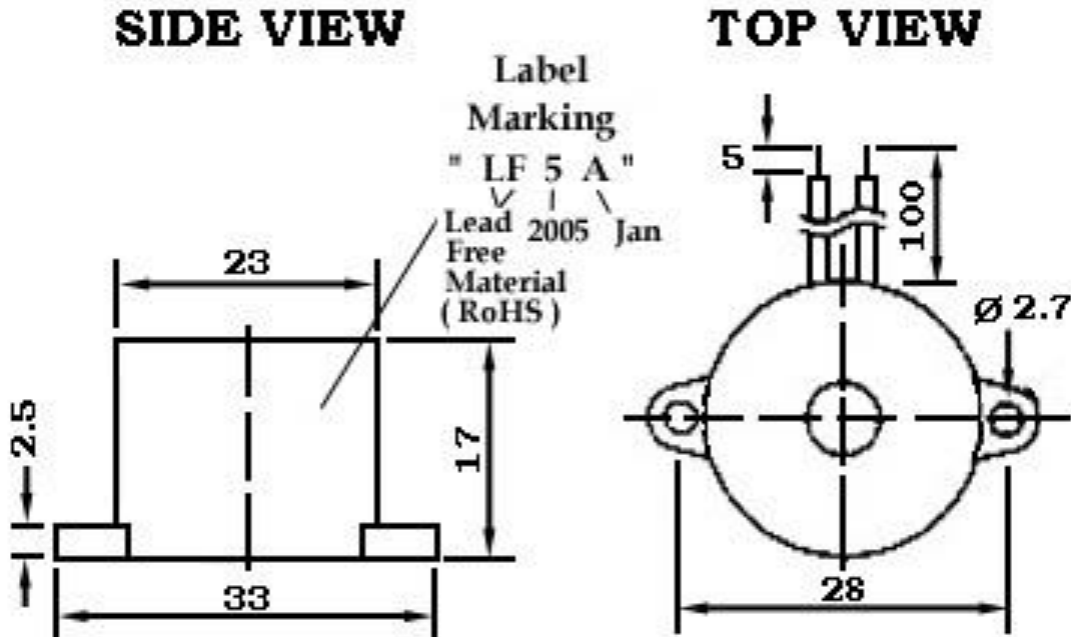
ELECTRICAL SPECIFICATIONS

MODEL NO.		152S3120LFLA
OPERATING VOLTAGE RANGE (VDC)		3.0 ~ 16.0
RATED VOLTAGE (VDC)		12.0
* MAX. RATED CURRENT (mA)		8.0
* MIN. SOUND OUTPUT (dBA/ 30 cm)		90.0
* FREQUENCY (Hz)		3700 ± 500
TONE NATURE		SINGLE
OPERATING TEMPERATURE (°C)		- 20 ~ + 60
TERMINAL		LEADWIRE
HOUSING MATERIAL		ABS
WEIGHT (g)		5.0

* Value applying at rated voltage

DIMENSIONS

UNIT : mm



Approved By :
Date : 21-Jul-2005

Prepared By :
Date : 21-Jul-2005

Modify :	Date :	By :