

## Specifications Sheet

Product Type : Piezo Buzzer  
 Product Series : DB-E2548  
 Description : PZ BUZZER SINGLE 12VDC L/W ABS RoHS SP  
                   1) 3000 +/- 500 Hz 2) IP67  
 Color : Black

### Electrical Specifications

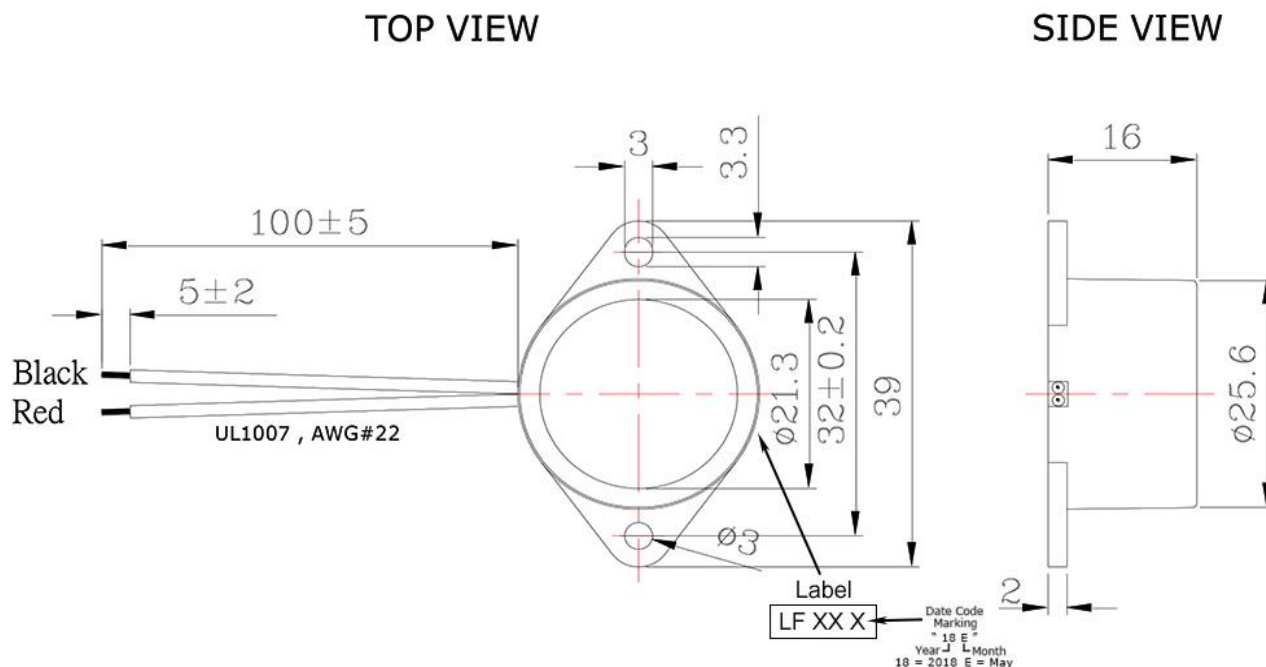
Model No.	254S3120NLFLA-001	
Rated Voltage	( VDC )	12.0
Operating Voltage	( VDC )	6.0 ~ 14.0
* Max. Rated Current	( mA )	35.0
* Min. Sound Output	( dBA / 30.0 cm )	85.0
Frequency	( Hz )	3000.0 ± 500.0
Tone Nature		Single
Operating Temperature	( ° C )	-20.0 ~ +60.0
Storage Temperature	( ° C )	-30.0 ~ +70.0
Terminal		Leadwire ( UL1007 , AWG#22 )
Housing Material		ABS
Dustproof Waterproof Level		IP67
Weight	( g )	41.0

\* Value Applying At Rate Voltage

### Dimensions

Unit : mm

Tolerance : ± 0.5 mm



Approved By :  
Date : 29 May 2019

Prepared By :  
Date : 29 May 2019

Modify :	Date :	By :
254PZ3120NLFLA-001 P/N change to 254S3120NLFLA-001	21 May 2018	Nelson
Add IP67 Waterproof level	29 May 2019	Nelson